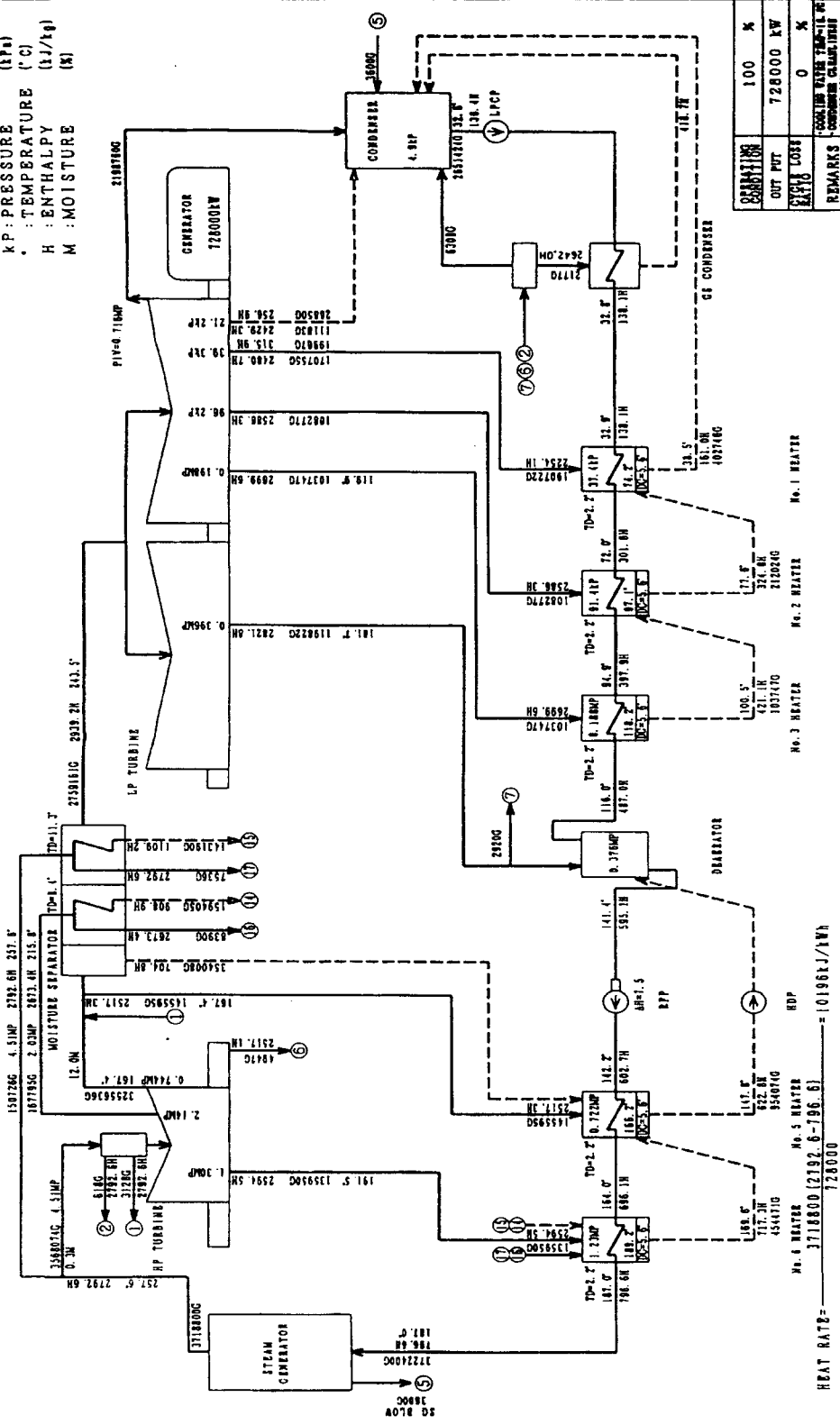


24789687-842

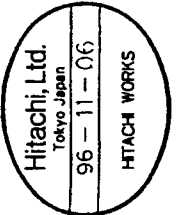
SPECIFICATIONS: REACTOR: TYPE=CANDIUS MCR=2003MWt, TURBINE: TYPE=TC1P-52, RATED LOAD=726MW  
 STEAM CONDITIONS=4.41MPa/g, 279.261/°C, RATED CONDENSER VACUUM=4.9kPa, SPEED=1500rpm  
 GENERATOR: CAPACITY=817MVA, P.F.=0.9, R2 PRESS=0.414 MPa/g

LEGEND  
 Q : FLOW RATE (kg/h)  
 MP : PRESSURE (MPa)  
 KP : PRESSURE (kPa)  
 T : TEMPERATURE (°C)  
 H : ENTHALPY (kJ/kg)  
 M : MOISTURE (%)



COMPARISON	100	%
OUT PUT	726000	kW
CYCLE LOSS	0	%
REMARKS	CONDENSING WATER TREATMENT - CONDENSER CLEANING 7/25/90-10/1	

CANDIUS NUCLEAR POWER PLANT QINSHAN UNIT 1&2	
REV. 1	10-11-96
REV. 2	10-11-96
REV. 3	10-11-96
REV. 4	10-11-96
REV. 5	10-11-96
REV. 6	10-11-96
REV. 7	10-11-96
REV. 8	10-11-96
REV. 9	10-11-96
REV. 10	10-11-96
REV. 11	10-11-96
REV. 12	10-11-96
REV. 13	10-11-96
REV. 14	10-11-96
REV. 15	10-11-96
REV. 16	10-11-96
REV. 17	10-11-96
REV. 18	10-11-96
REV. 19	10-11-96
REV. 20	10-11-96
REV. 21	10-11-96
REV. 22	10-11-96
REV. 23	10-11-96
REV. 24	10-11-96
REV. 25	10-11-96
REV. 26	10-11-96
REV. 27	10-11-96
REV. 28	10-11-96
REV. 29	10-11-96
REV. 30	10-11-96
REV. 31	10-11-96
REV. 32	10-11-96
REV. 33	10-11-96
REV. 34	10-11-96
REV. 35	10-11-96
REV. 36	10-11-96
REV. 37	10-11-96
REV. 38	10-11-96
REV. 39	10-11-96
REV. 40	10-11-96
REV. 41	10-11-96
REV. 42	10-11-96
REV. 43	10-11-96
REV. 44	10-11-96
REV. 45	10-11-96
REV. 46	10-11-96
REV. 47	10-11-96
REV. 48	10-11-96
REV. 49	10-11-96
REV. 50	10-11-96
REV. 51	10-11-96
REV. 52	10-11-96
REV. 53	10-11-96
REV. 54	10-11-96
REV. 55	10-11-96
REV. 56	10-11-96
REV. 57	10-11-96
REV. 58	10-11-96
REV. 59	10-11-96
REV. 60	10-11-96
REV. 61	10-11-96
REV. 62	10-11-96
REV. 63	10-11-96
REV. 64	10-11-96
REV. 65	10-11-96
REV. 66	10-11-96
REV. 67	10-11-96
REV. 68	10-11-96
REV. 69	10-11-96
REV. 70	10-11-96
REV. 71	10-11-96
REV. 72	10-11-96
REV. 73	10-11-96
REV. 74	10-11-96
REV. 75	10-11-96
REV. 76	10-11-96
REV. 77	10-11-96
REV. 78	10-11-96
REV. 79	10-11-96
REV. 80	10-11-96
REV. 81	10-11-96
REV. 82	10-11-96
REV. 83	10-11-96
REV. 84	10-11-96
REV. 85	10-11-96
REV. 86	10-11-96
REV. 87	10-11-96
REV. 88	10-11-96
REV. 89	10-11-96
REV. 90	10-11-96
REV. 91	10-11-96
REV. 92	10-11-96
REV. 93	10-11-96
REV. 94	10-11-96
REV. 95	10-11-96
REV. 96	10-11-96
REV. 97	10-11-96
REV. 98	10-11-96
REV. 99	10-11-96
REV. 100	10-11-96



SY#	REVISIONS	DATA	REV'D	CHKD	APPD	REV	DATE	BY	RE	DATE	BY	RE
1	Revision by change of cooling water flow						10-10-96	Y. Iwano	Y. Iwano			

Figure 10.1-2(a) 100% Load Heat Balance Diagram