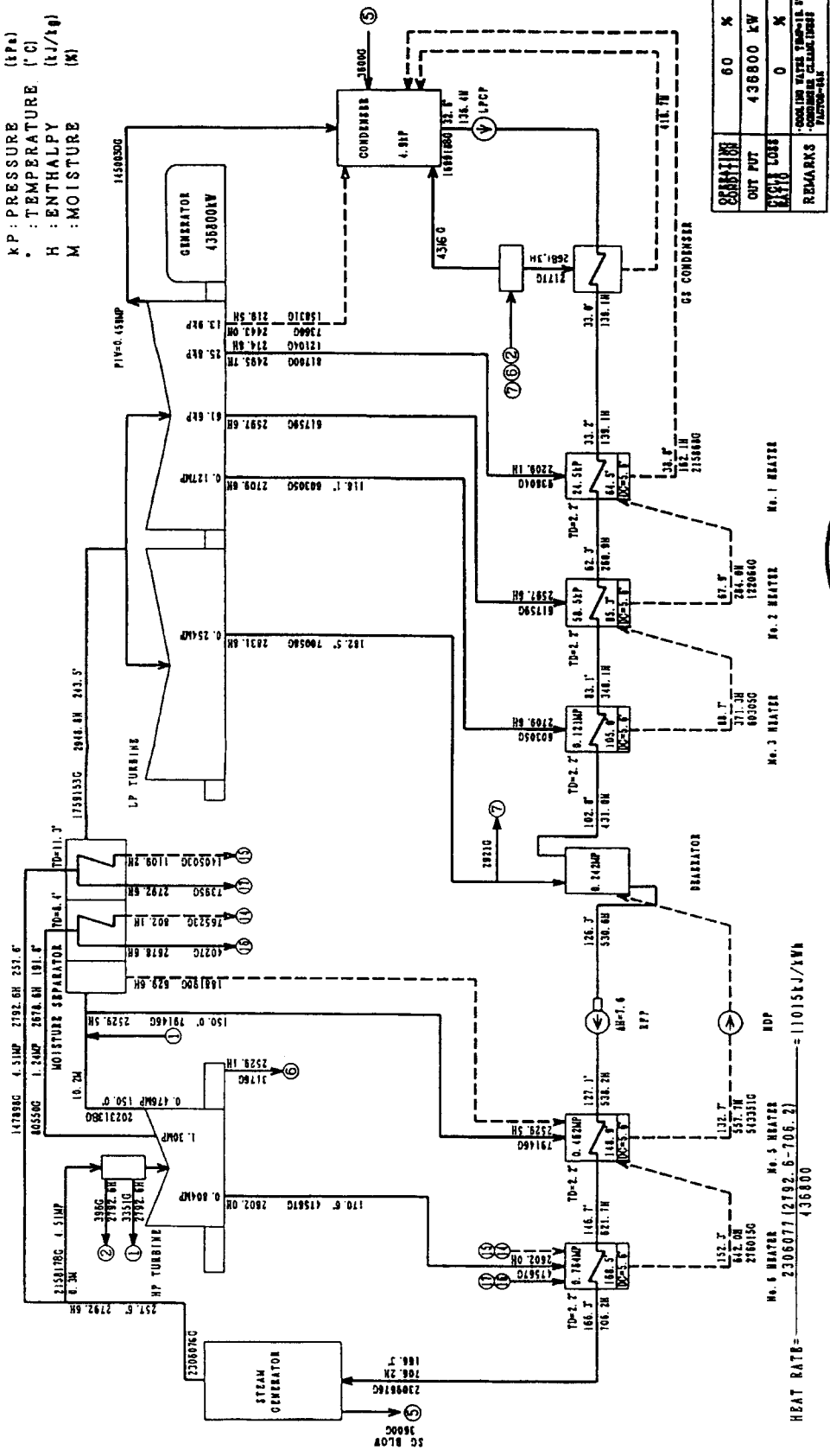
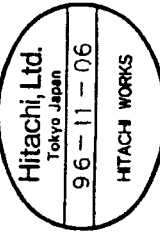


LEGEND  
 G : FLOW RATE (kg/h)  
 MP : PRESSURE (MPa)  
 KP : PRESSURE (kPa)  
 . : TEMPERATURE (°C)  
 H : ENTHALPY (kJ/kg)  
 M : MOISTURE (%)

SPECIFICATIONS : REACTOR:TYPE=CANDU6 MCR=2963MWt, TURBINE:TYPE=TC4F-52, RATED LOAD=728MWg  
 STEAM CONDITIONS=4.1MPa g, 279.2 kJ/kg, RATED CONDENSER VACUUM=4.9kPa, SPEED=1500rpm  
 GENERATOR:CAPACITY=436800kVA, P.P.=0.9, H2 PRESS=0.414 MPa g



OPERATING CONDITION	60 %
OUT PUT	436800 kW
LOSS	0 %
REMARKS	COOLING WATER TEMP=11.2°C CONDENSER VACUUM=4.9kPa



DATE	9/18/82	RECD.	16/7/82
CHKD.	7/11/82	APPR.	7/11/82
TITLE 60% LOAD HEAT BALANCE DIAGRAM			
Hitachi, Ltd. 310S987-879			
Hitachi Works Divg.No.			
Tokyo Japan			
REV.			

NO.	REVISIONS	DATA	REVD	CHKD	APPD.	ENG.	RE.	RE.
SYN							TR	RE
							PH	OD
1	Revision by change of cooling water Temp.	9/18/82	Y. Onda	T. Arai				

HEAT RATE = 2306077 (2192.6-706.2) = 1101581.4/kWh

970661-3T

Figure 10.1-2(c) 60% Load Heat Balance Diagram