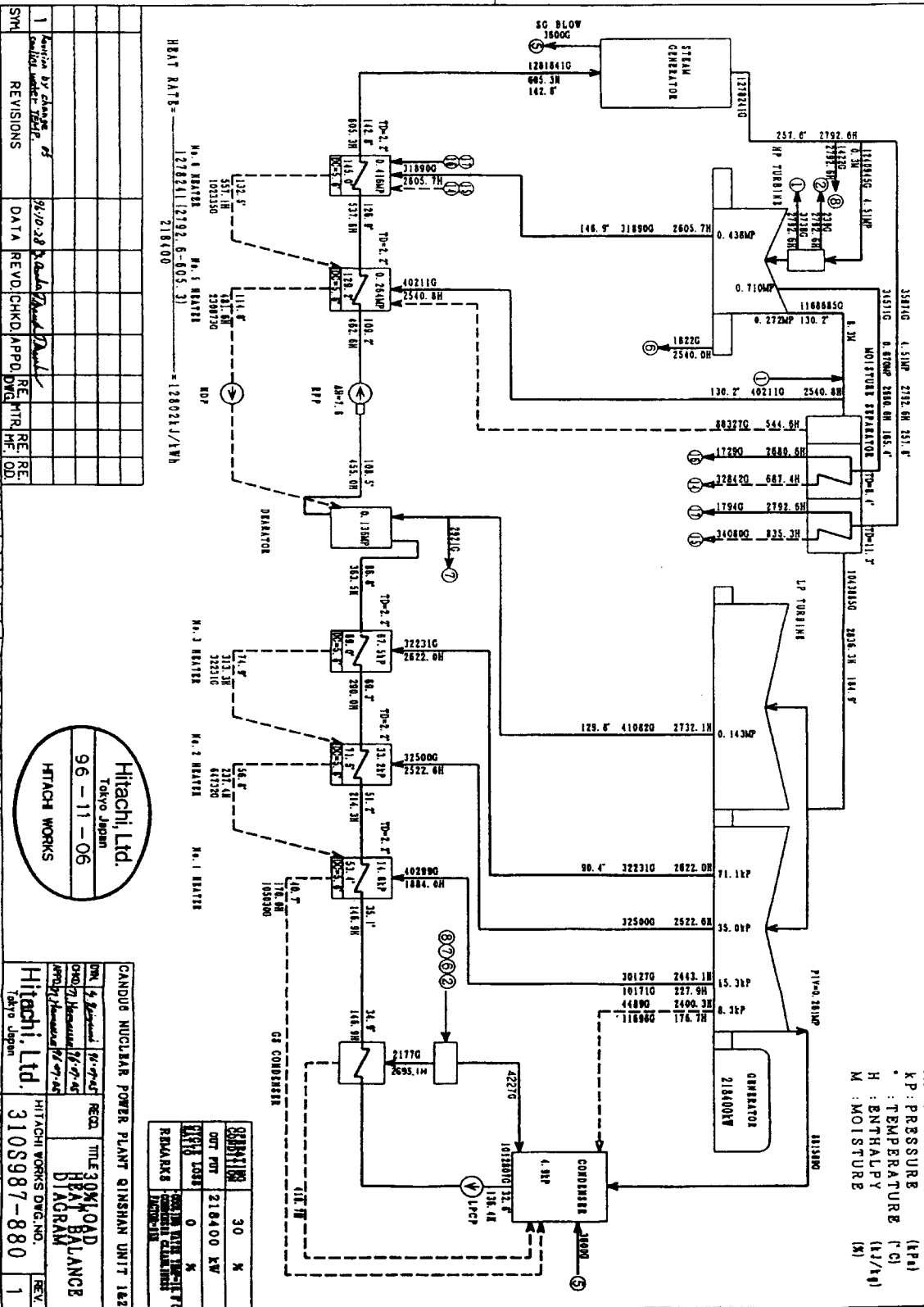


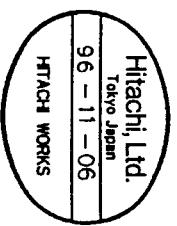
SPECIFICATIONS: REACTOR: TYPE-CANDU NGR-2063MW, TURBINE: TYPE-TG17-52, RATED LOAD=720MW
 STEAM CONDITIONS=4.41MPa(g), 279.2(513)/1.8, RATED CONDENSER VACUUM=4.97Pa, SPEED=1500rpm
 GENERATOR CAPACITY=817MVA, P.F.=0.9, H2 PRESS=0.414 MPa(g)



LEGEND
 G : FLOW RATE (kg/h)
 MP : PRESSURE (MPa)
 KP : PRESSURE (kPa)
 T : TEMPERATURE (°C)
 H : ENTHALPY (kJ/kg)
 M : MOISTURE (%)

GENERATING	30	%
NET PWR	218400	kW
WASTE LOSS	0	%
REMARKS	30% LOAD HEAT BALANCE DIAGRAM	

CANDU NUCLEAR POWER PLANT QINSHAN UNIT 1&2	
DRN	96-07-05
CHKD BY	Y. Hasegawa
APP'D BY	Y. Hasegawa
DATE	96-07-05
RECD	96-07-05
TITLE	30% LOAD HEAT BALANCE DIAGRAM
DRN	96-07-05
CHKD BY	Y. Hasegawa
APP'D BY	Y. Hasegawa
DATE	96-07-05
RECD	96-07-05
TITLE	30% LOAD HEAT BALANCE DIAGRAM
DRN	96-07-05
CHKD BY	Y. Hasegawa
APP'D BY	Y. Hasegawa
DATE	96-07-05
RECD	96-07-05
TITLE	30% LOAD HEAT BALANCE DIAGRAM



1	Revision by change of	96/10/28	Y. Hasegawa	RE	RE	RE	RE	RE	RE
SYM	REVISIONS	DATA	REV'D	CHK'D	APP'D	DRG	RE	MT	RE

Figure 10.1-2(b) 30% Load Heat Balance Diagram