

Figure 2-1 CANDU 6 Reactor and Vault Arrangement - Front Elevation

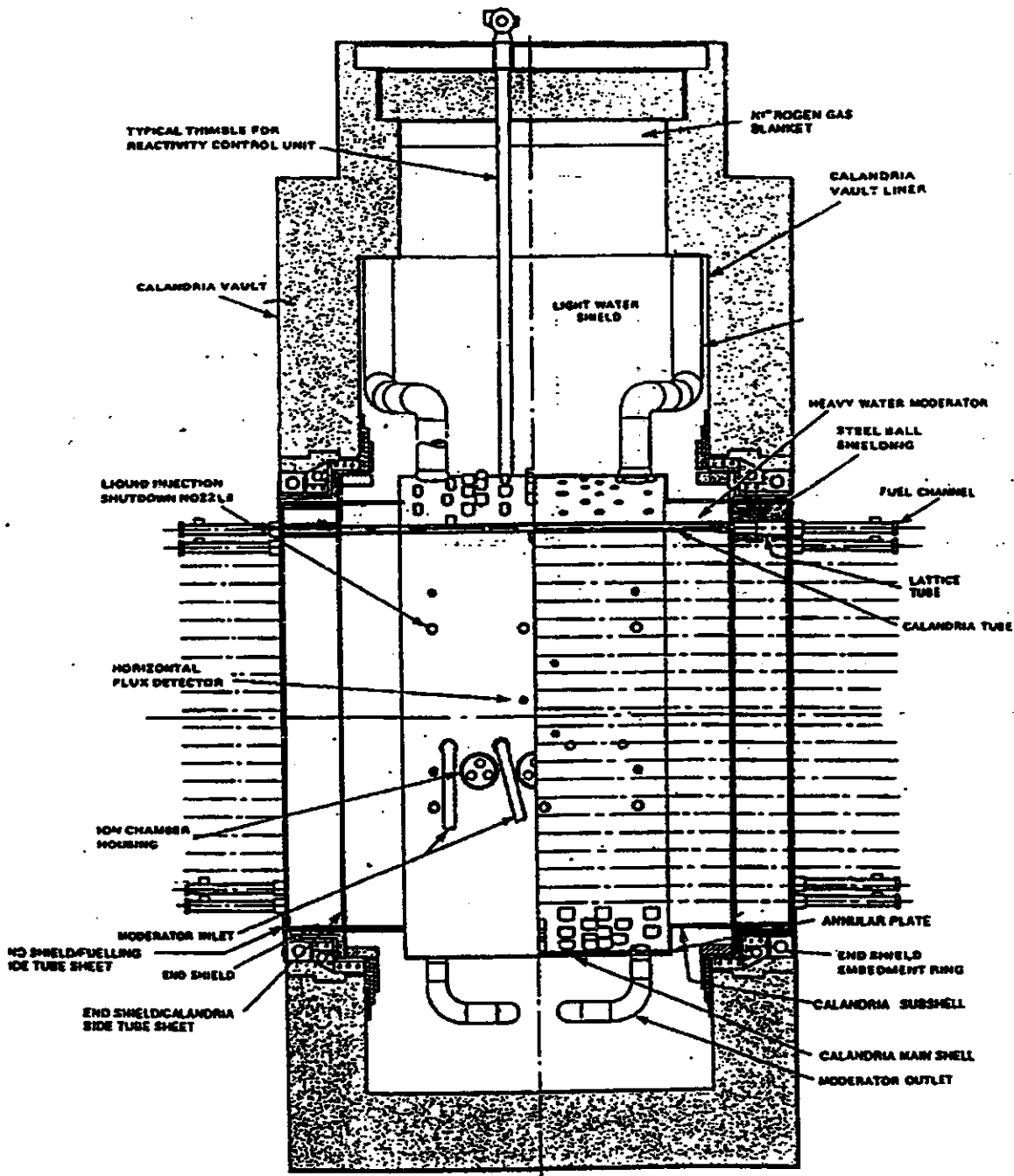


Figure 2-2 CANDU 6 Reactor and Vault Arrangement - Side Elevation

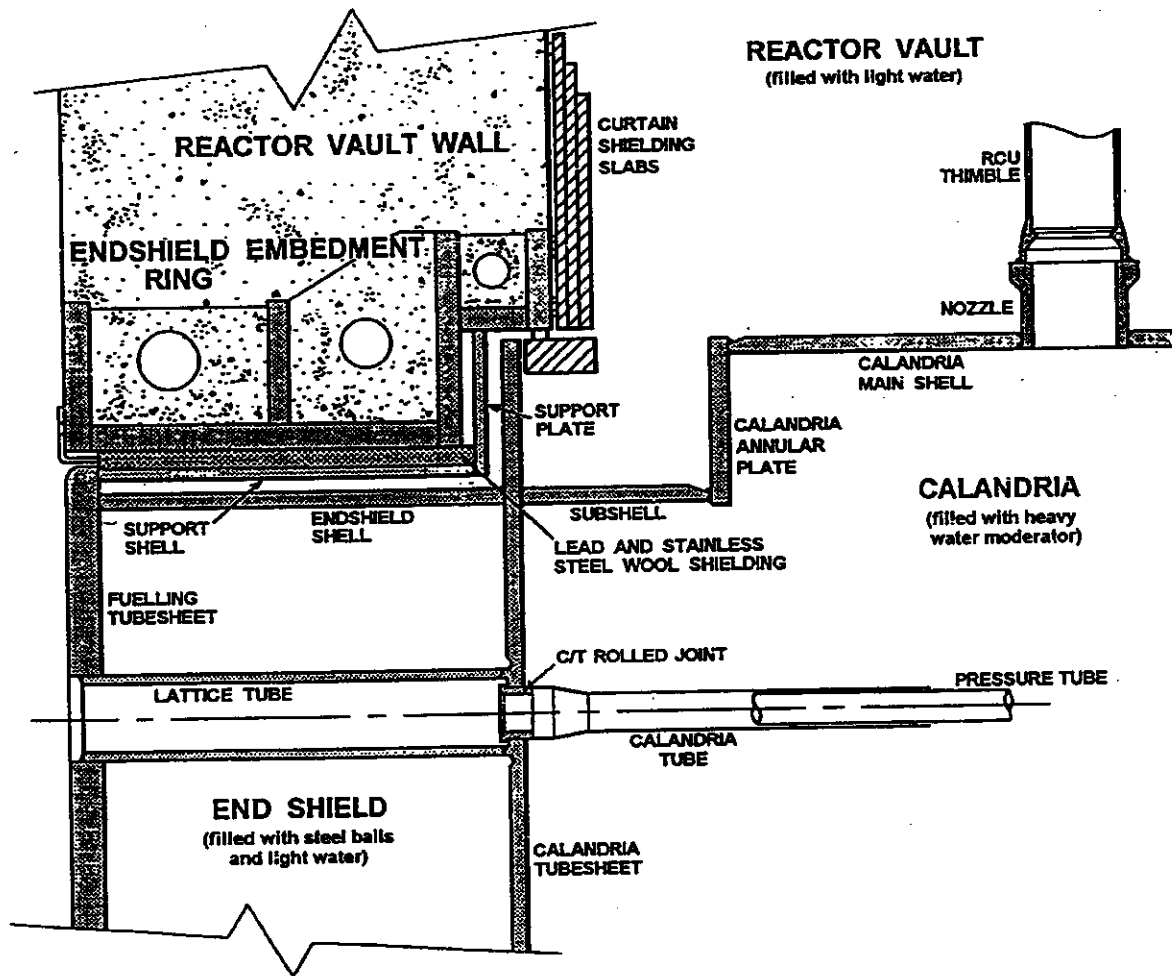


Figure 2-3 Detail of Sub-shell, End Shield and Support Assembly

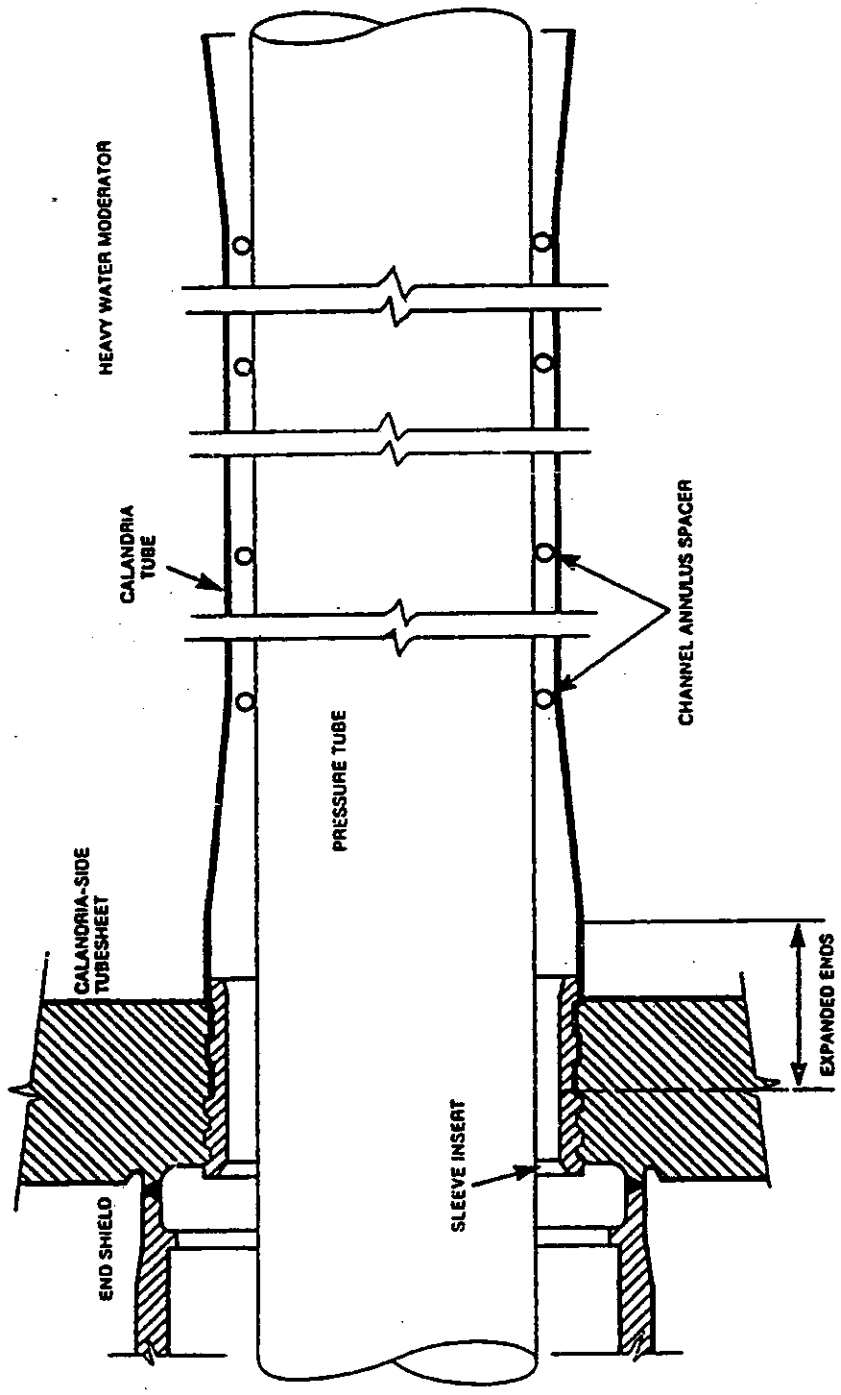


Figure 2-4 Detail of Calandria Tube Joint to End Shield

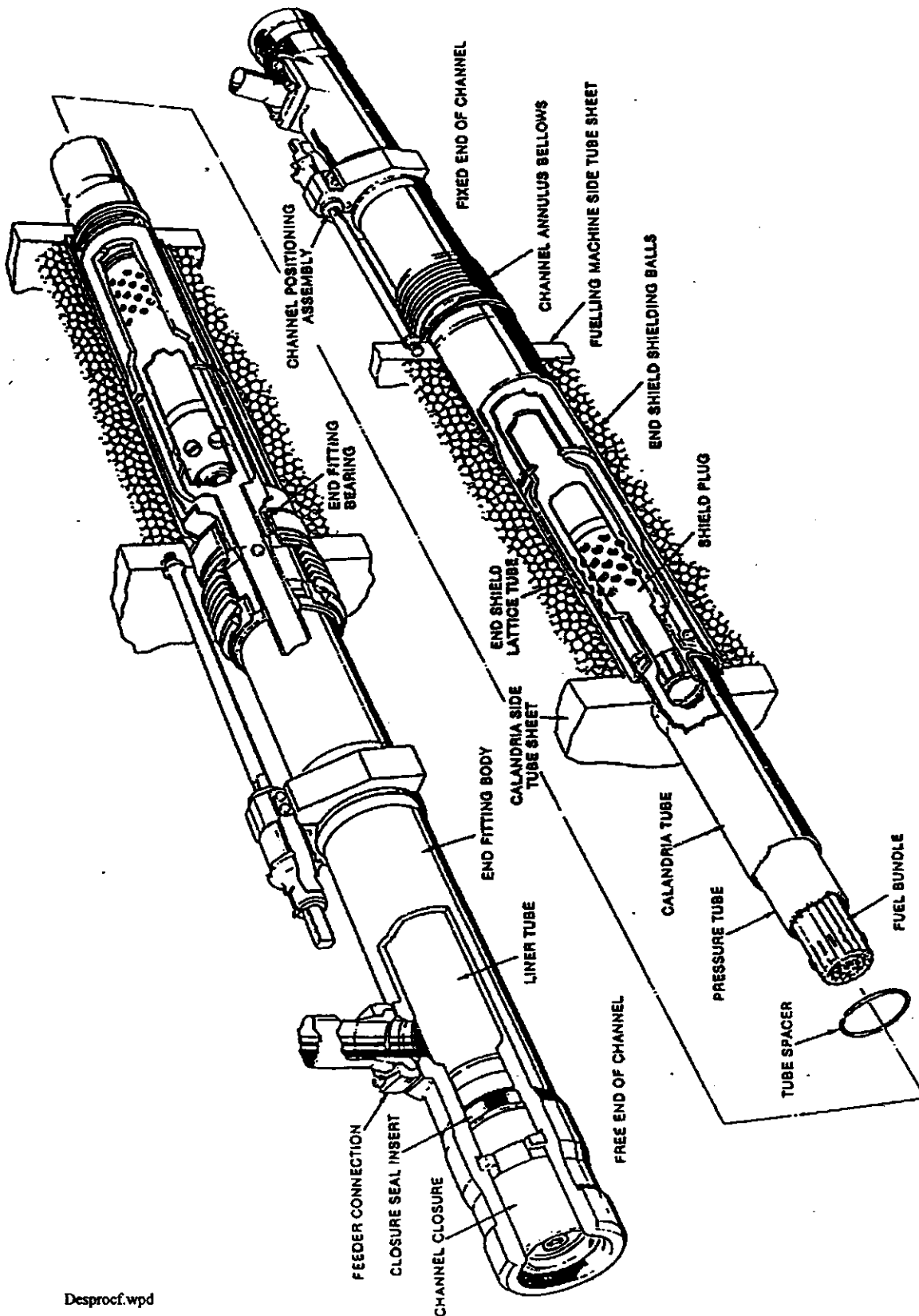


Figure 2-5 CANDU 6 Fuel Channel Assembly

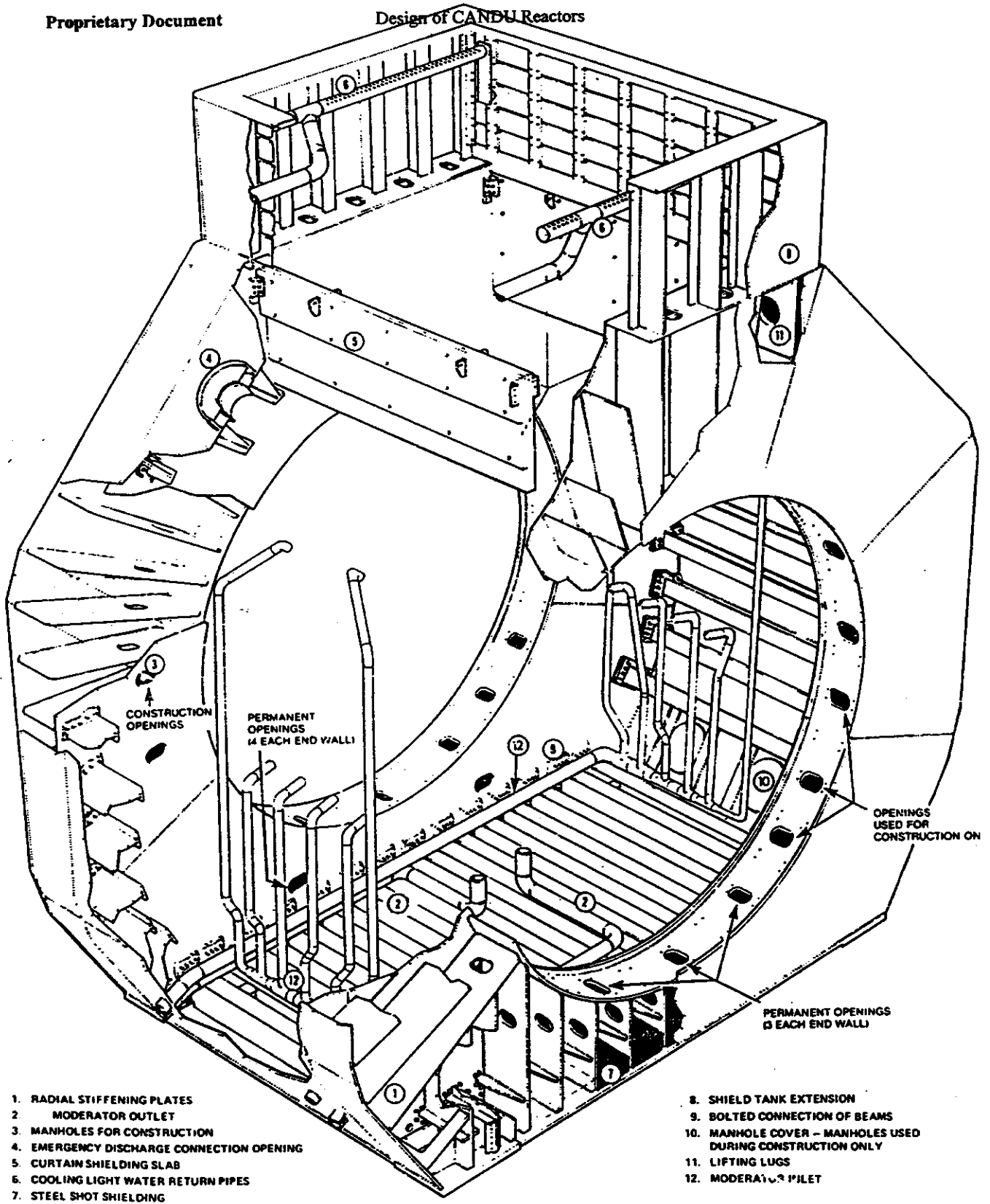


Figure 2-7a Cutaway View of Bruce Reactor Assembly

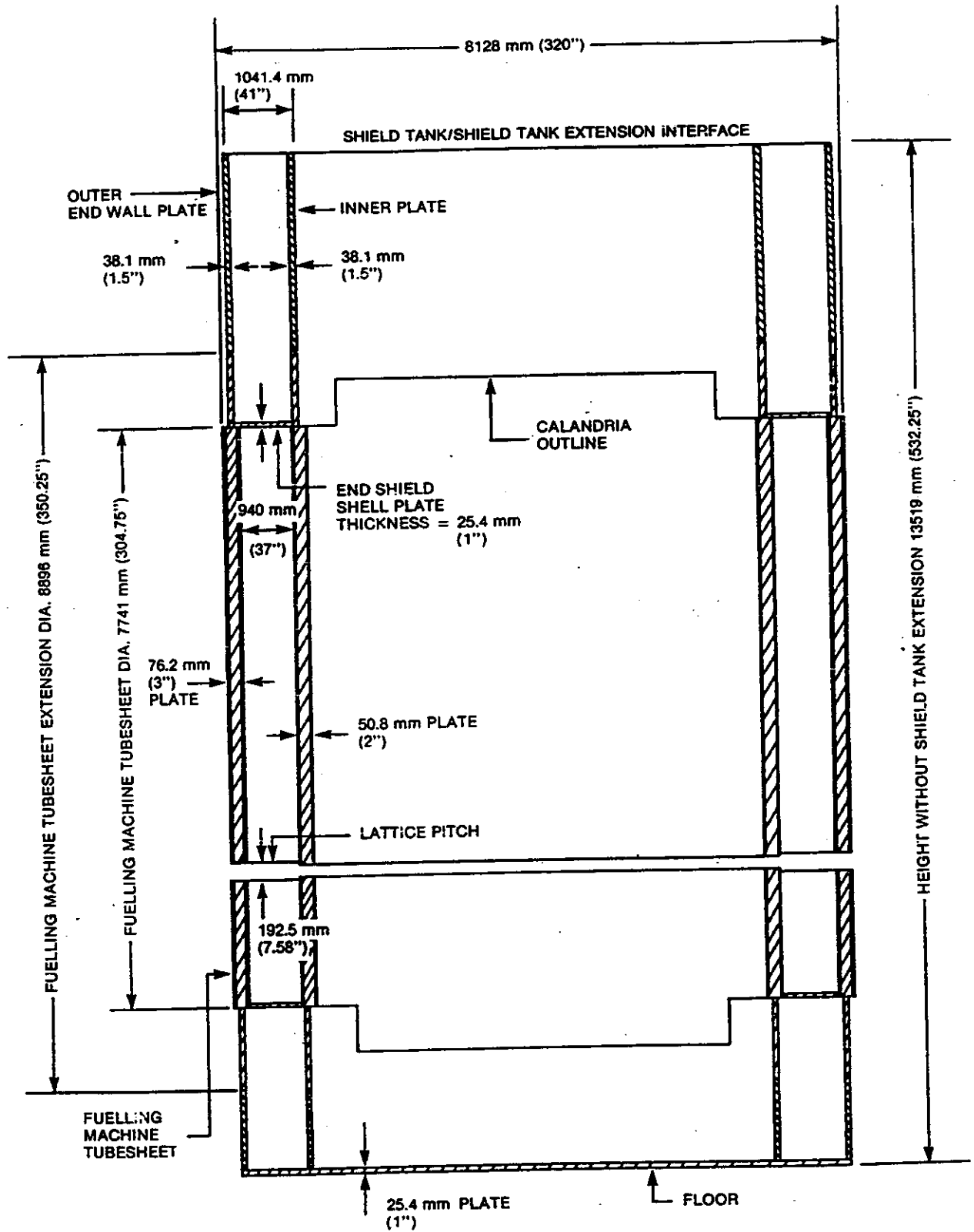


Figure 2-7b Cross Section through Bruce Reactor Assembly

Design of CANDU Reactors

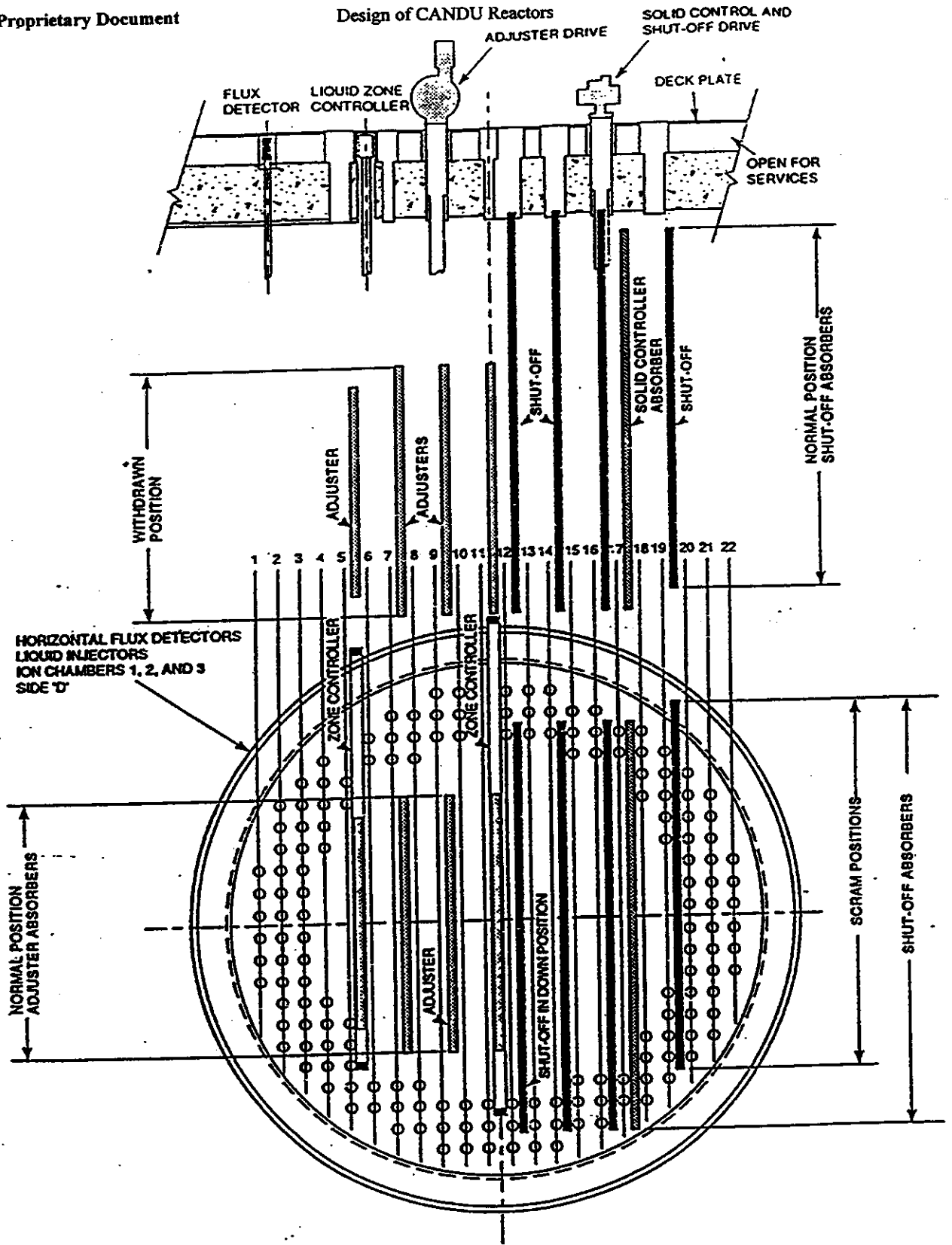


Figure 2-8 Geometry of CANDU 6 Reactor and RCUs

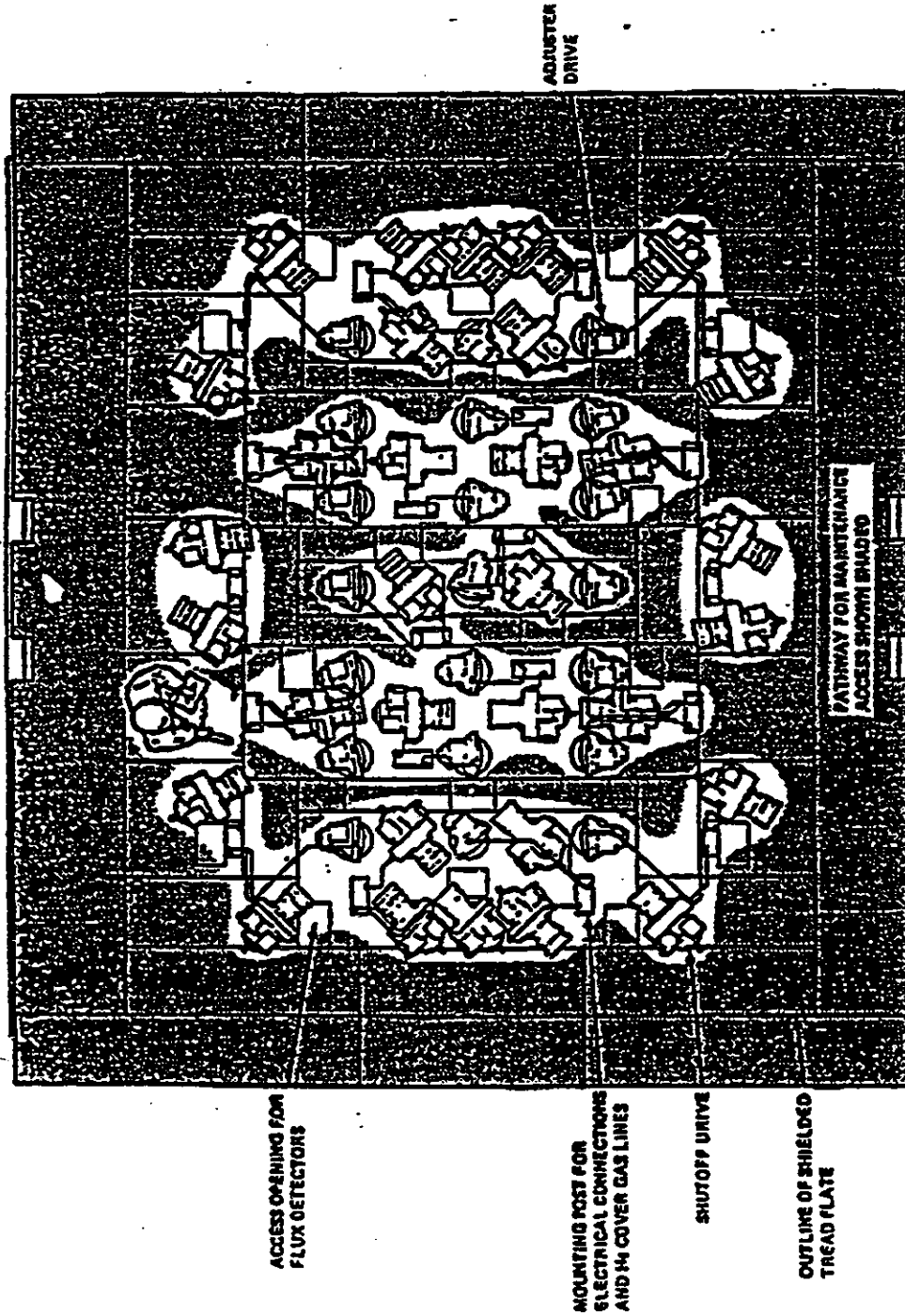


Figure 2-9 Plan View of Reactivity Mechanisms Deck

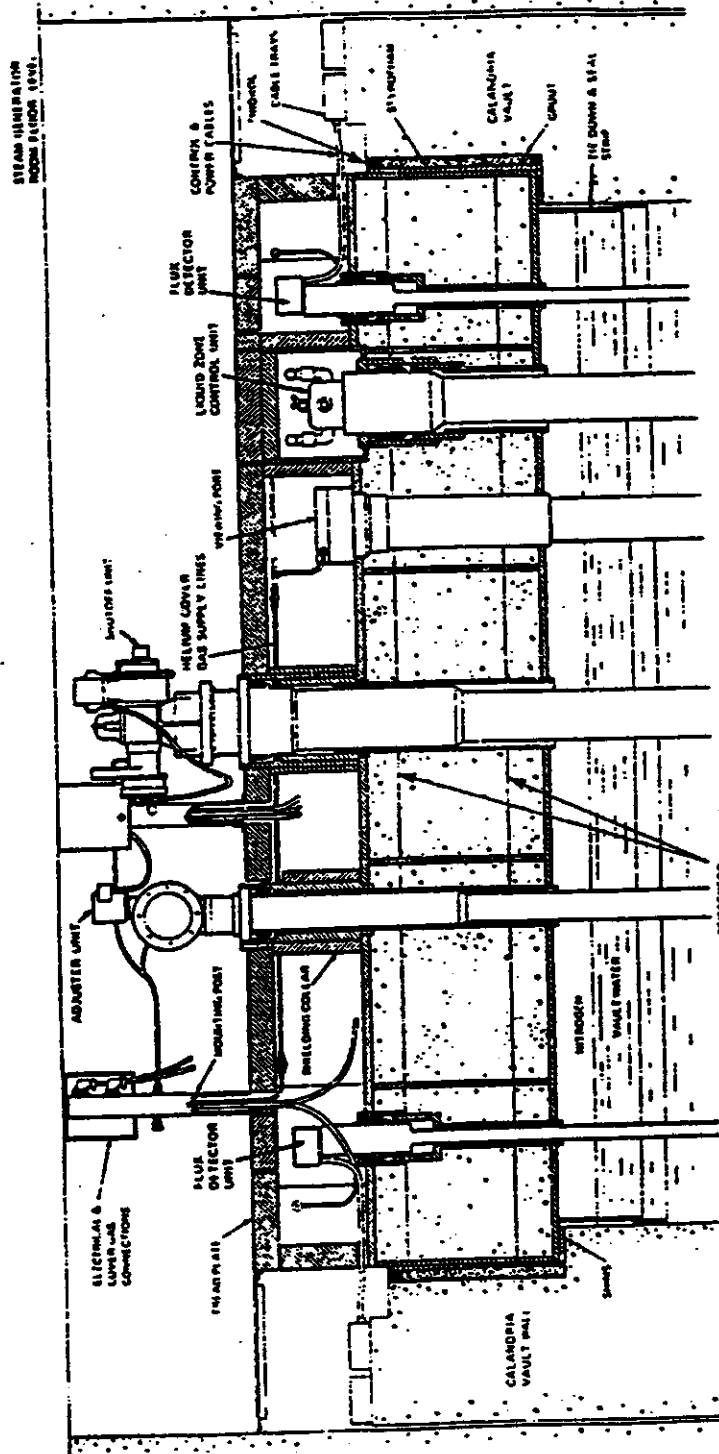


Figure 2-10 Cross Section through RM Deck

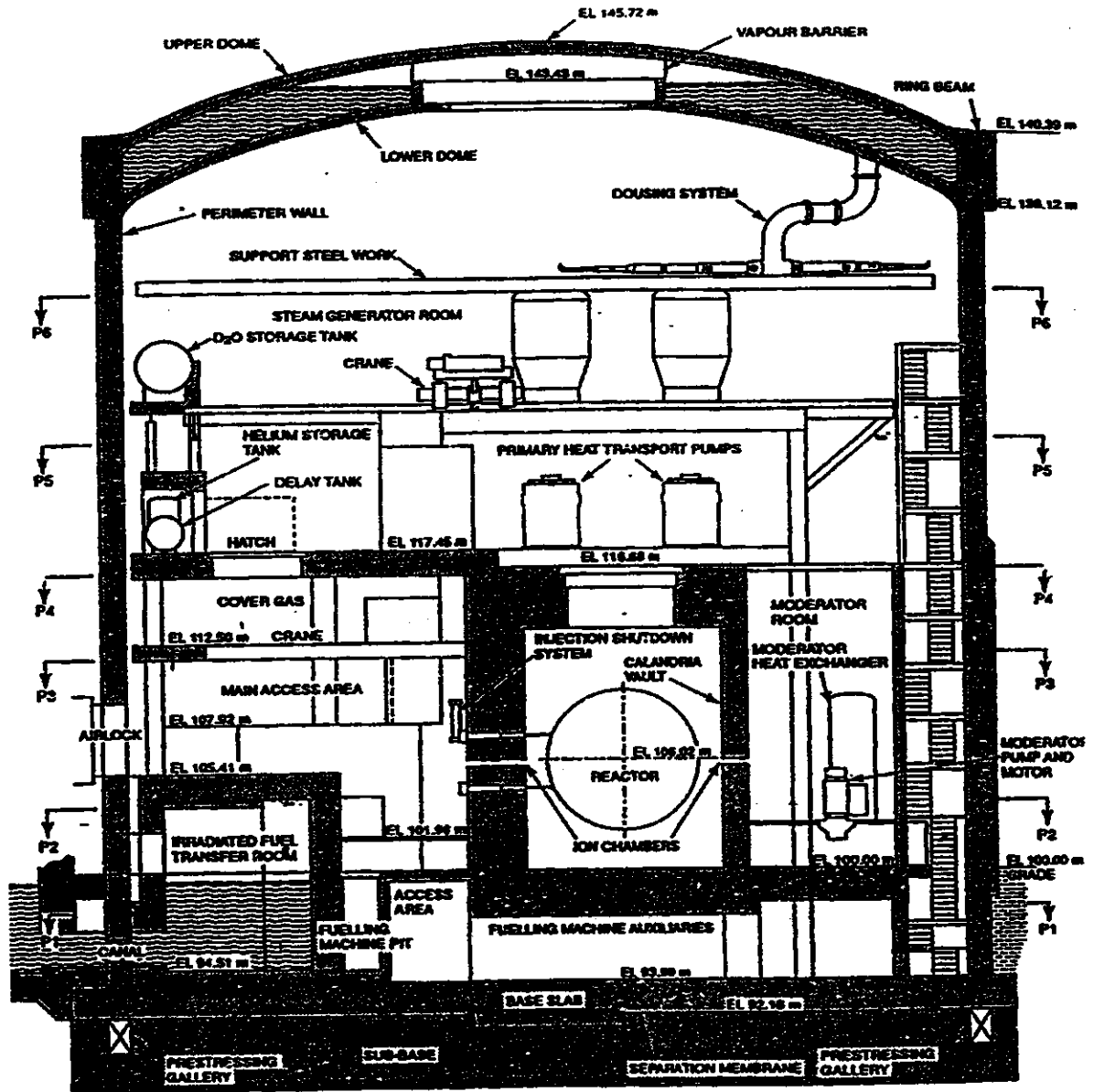


Figure 2-11 Cross Section through Reactor Building & Reactor - Elevation

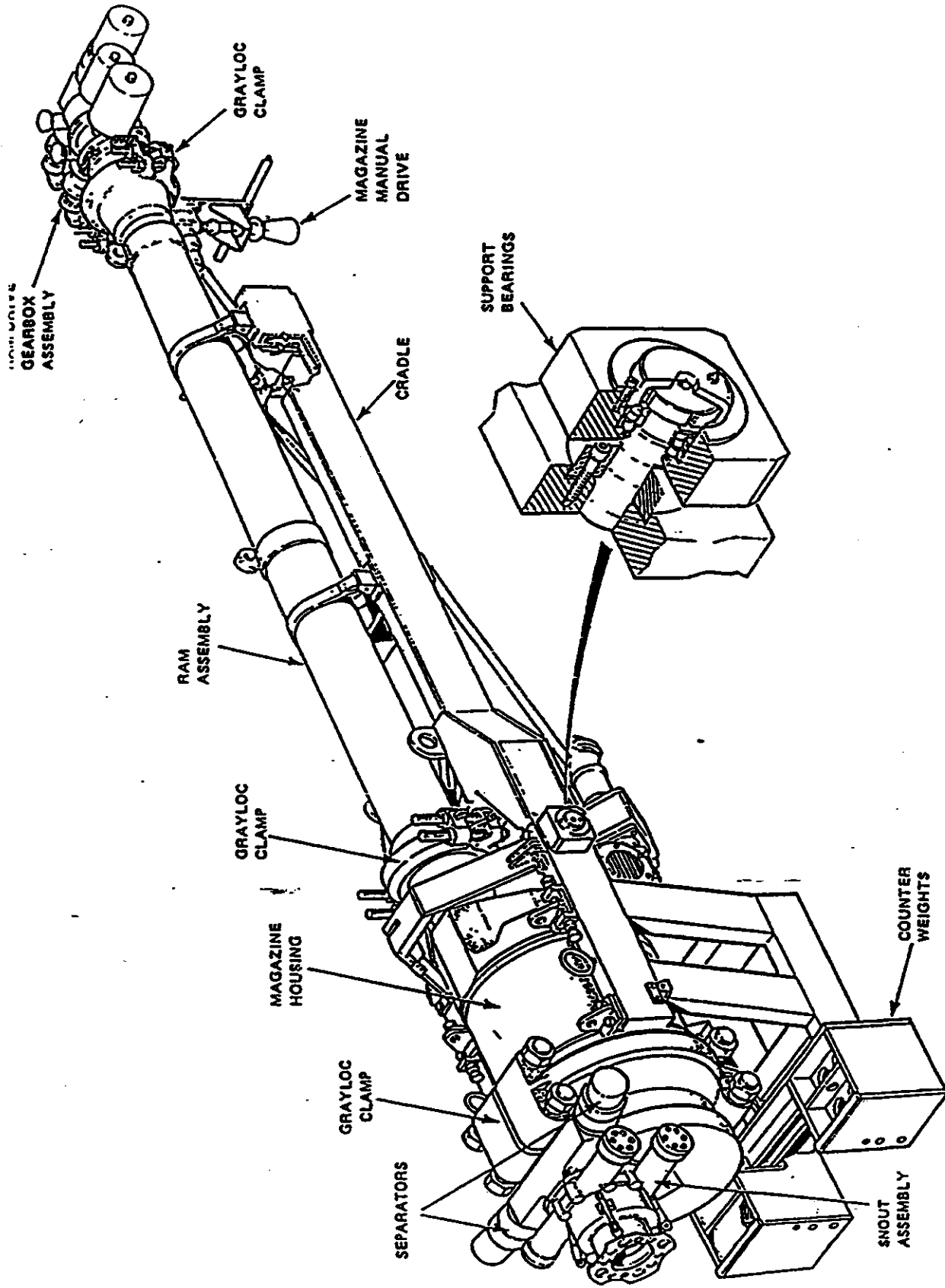
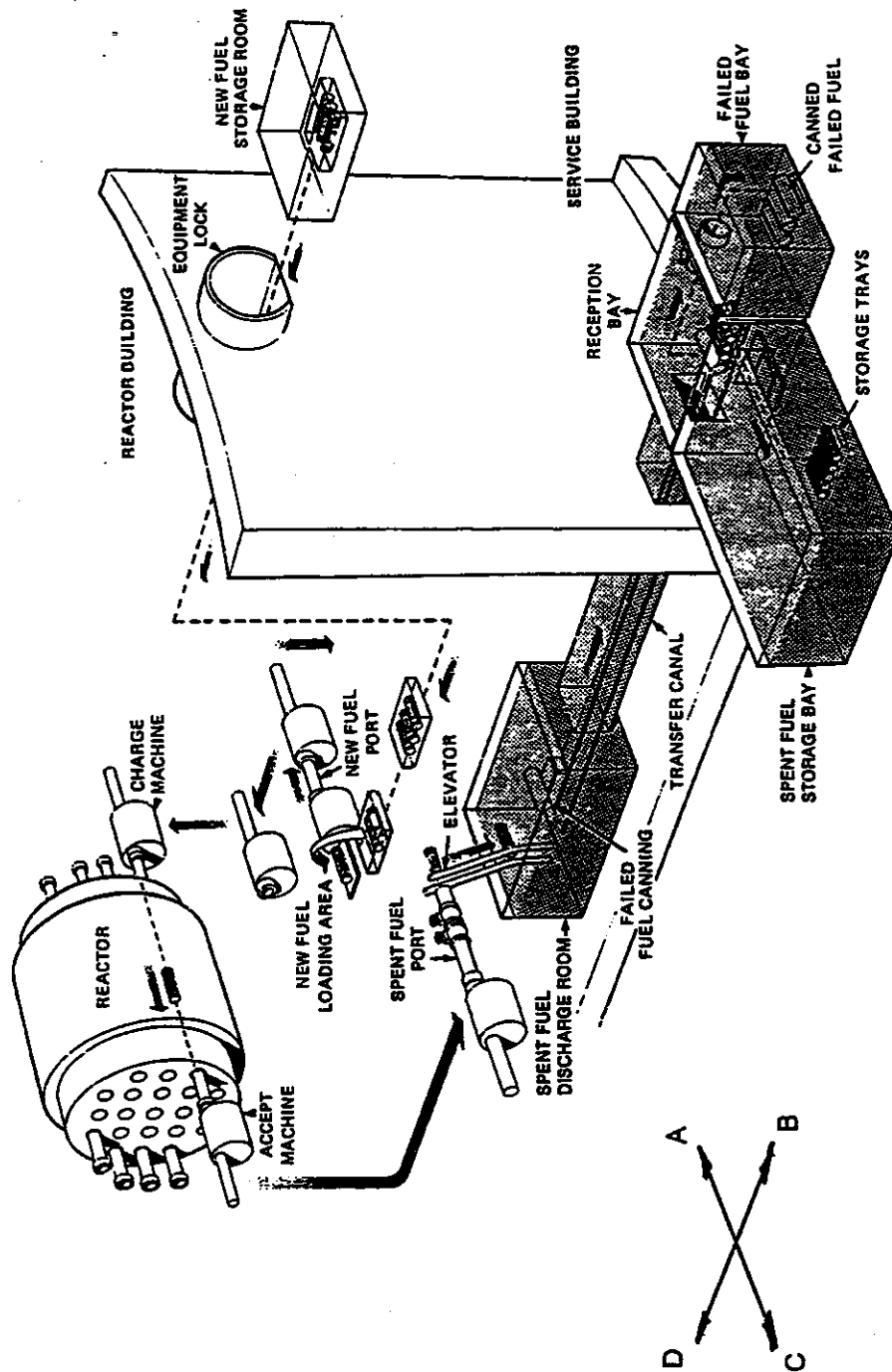


Figure 2-12 CANDU 6 Fuelling Machine



NOTE: Figure is simplified to show only new fuel loading at the "A" end of the reactor and irradiated fuel discharging at the "B" end; however, system is symmetrical, with corresponding discharge and new fuel ports at both ends and may transfer fuel in either direction.

Figure 2-14 CANDU 6 Fuel Handling System Arrangement

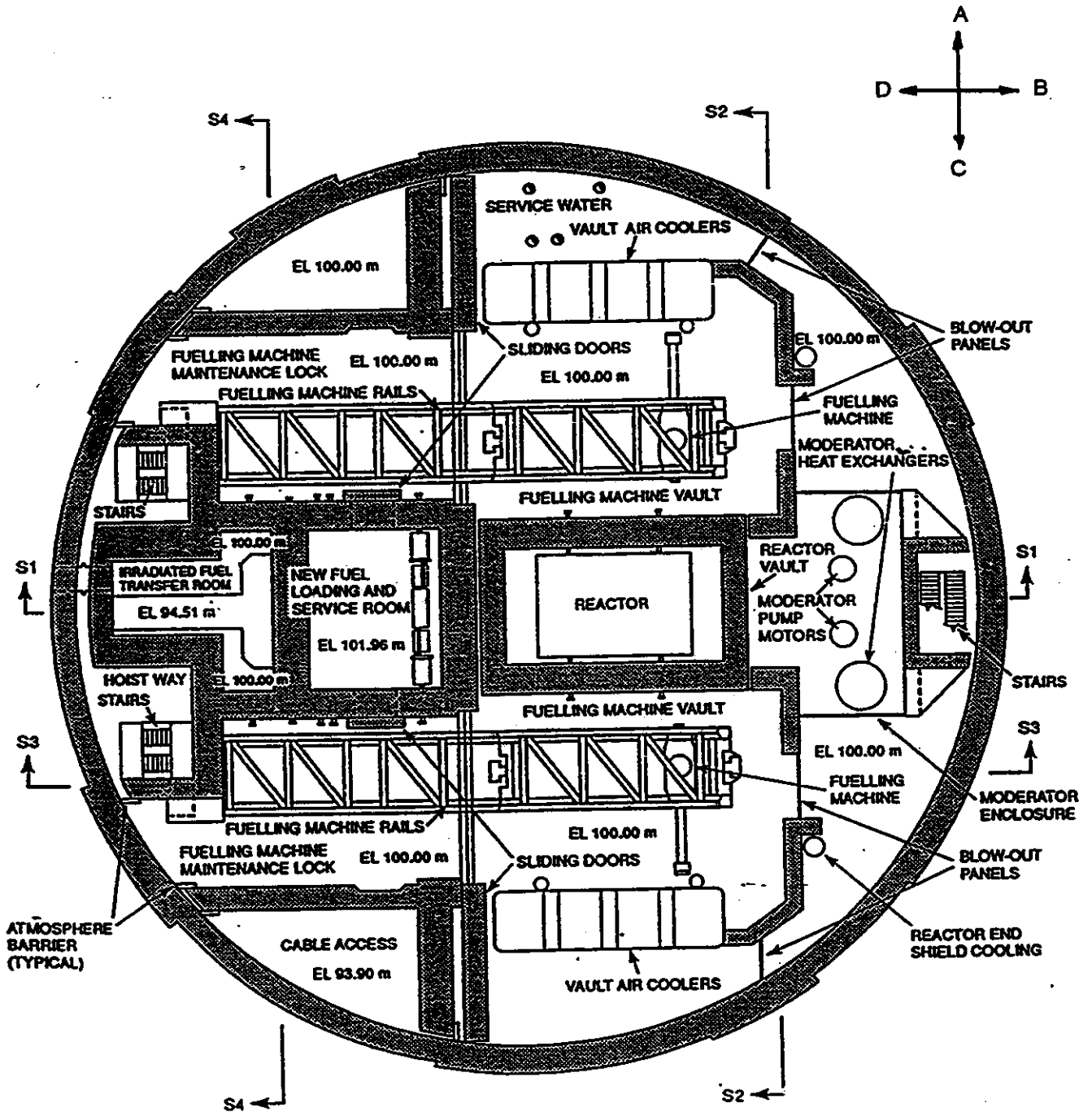


Figure 2-15 Reactor Building Plan near Reactor Base

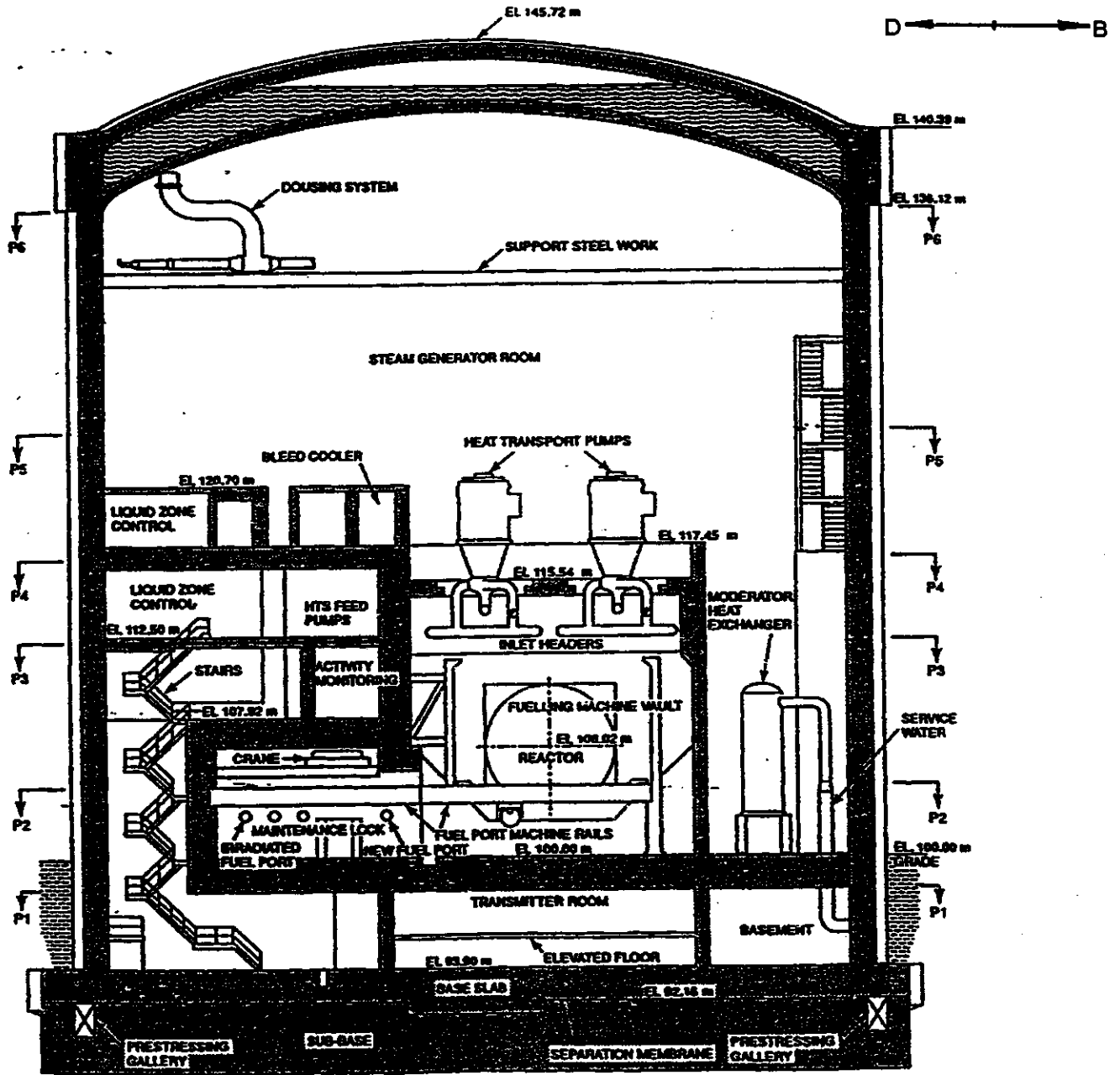


Figure 2-16 Reactor Building Elevation Section at Reactor Face
(Section S3 on Figure 2-14)

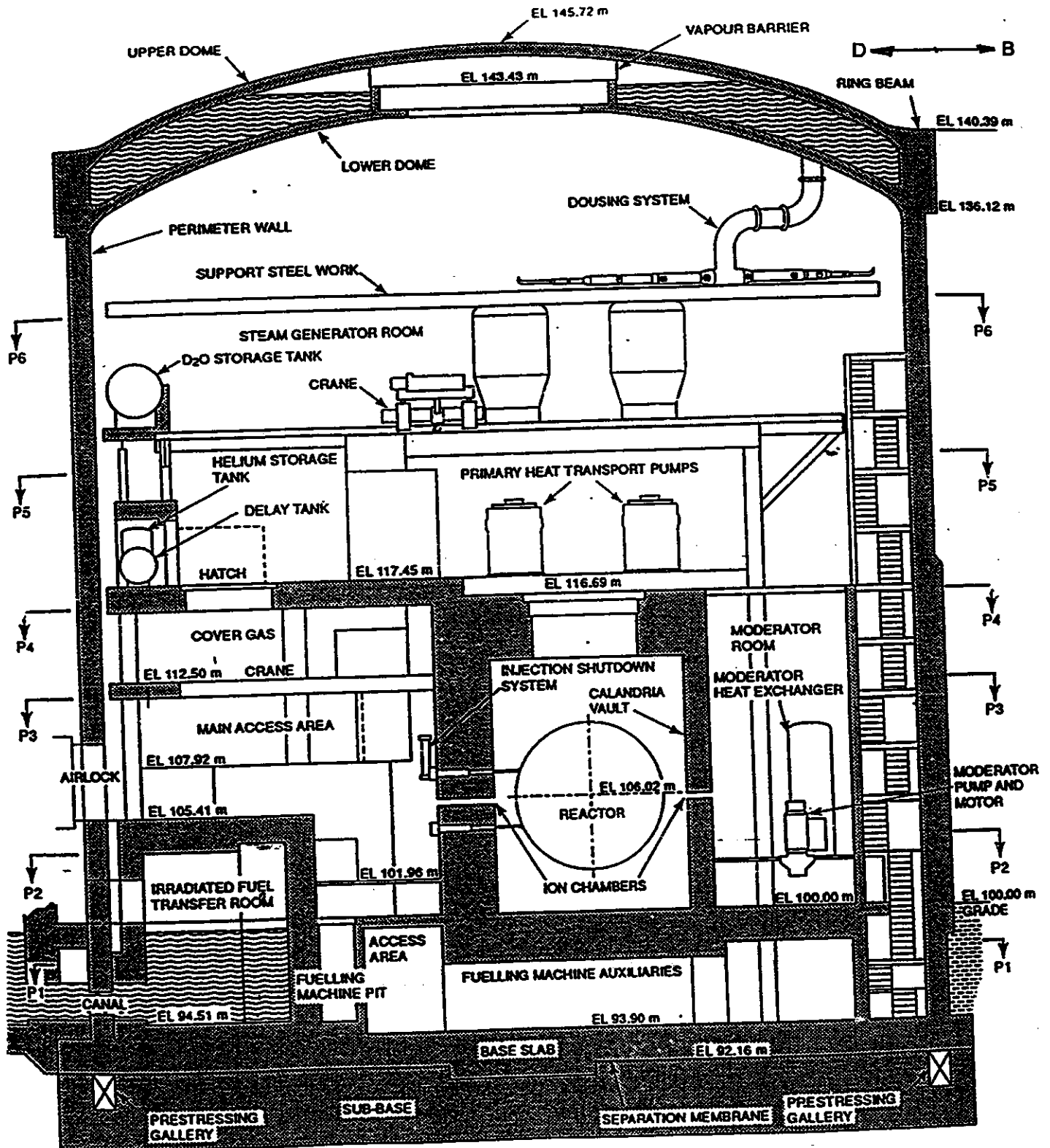


Figure 2-17 Reactor Building Elevation Section through Reactor Centre
(Section S1 on Figure 2-14)

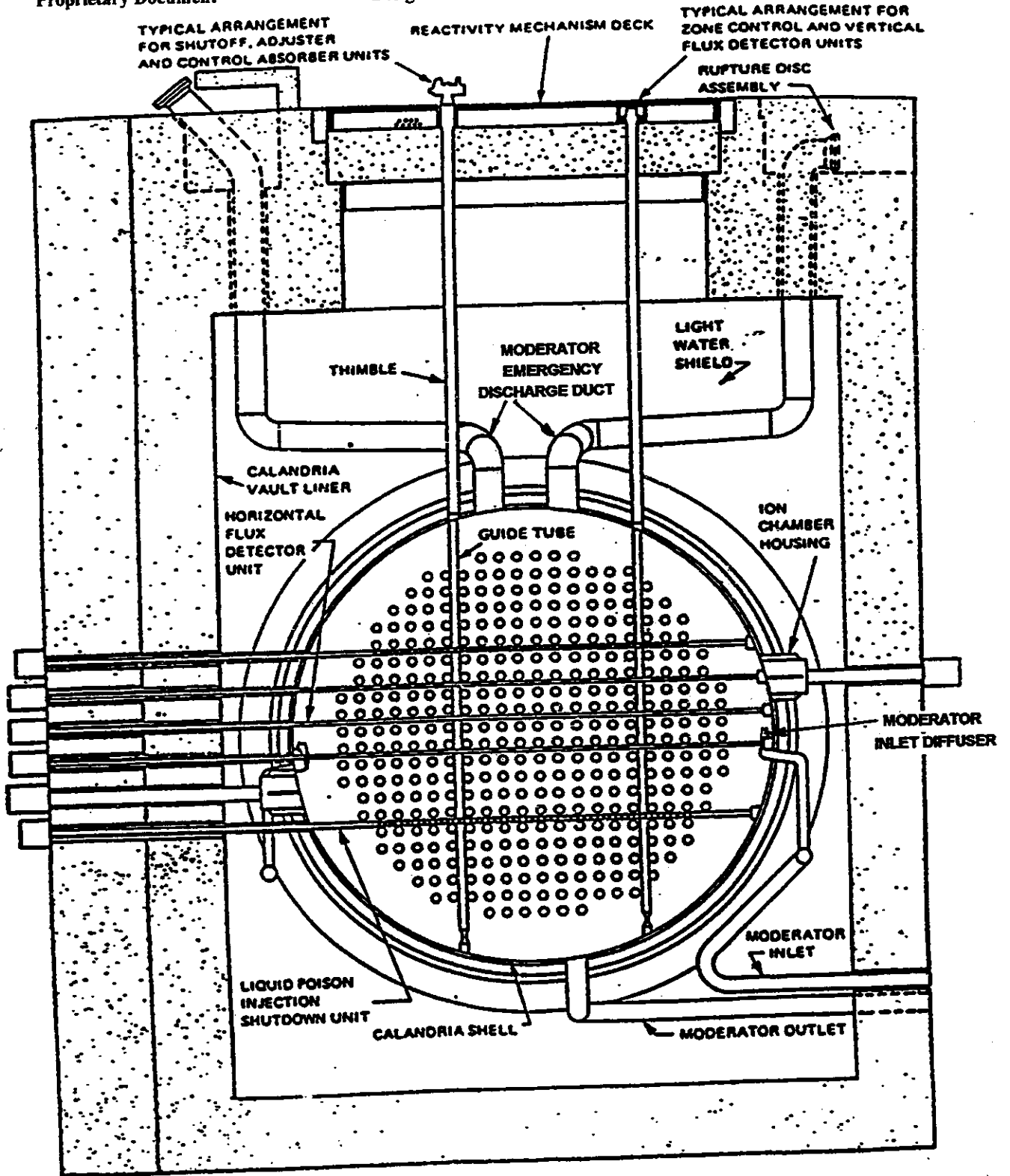


Figure 2-18 CANDU 6 - Reactor & Vault Elevation

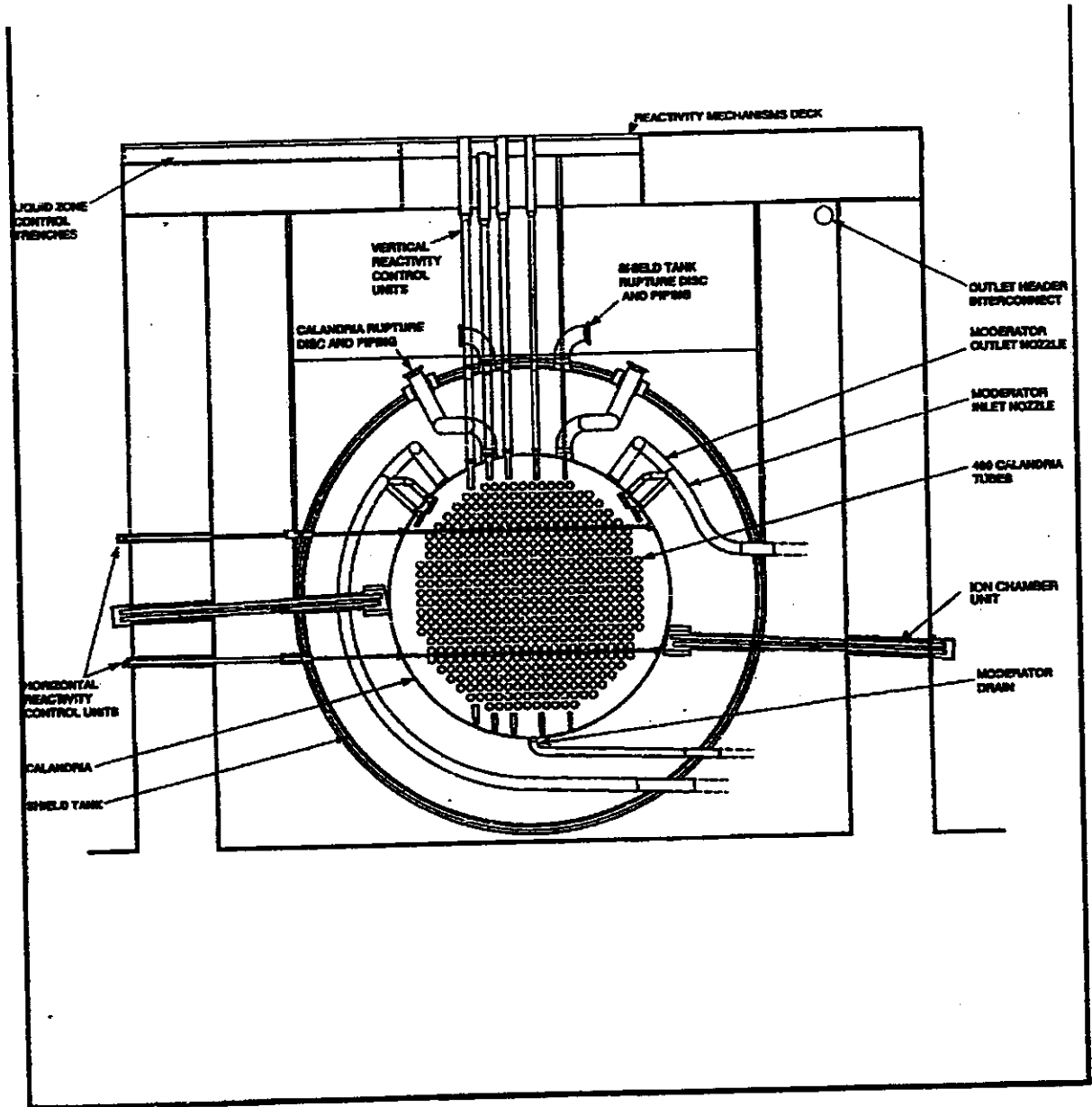


Figure 2-19 CANDU 9 - Reactor & Vault Elevation

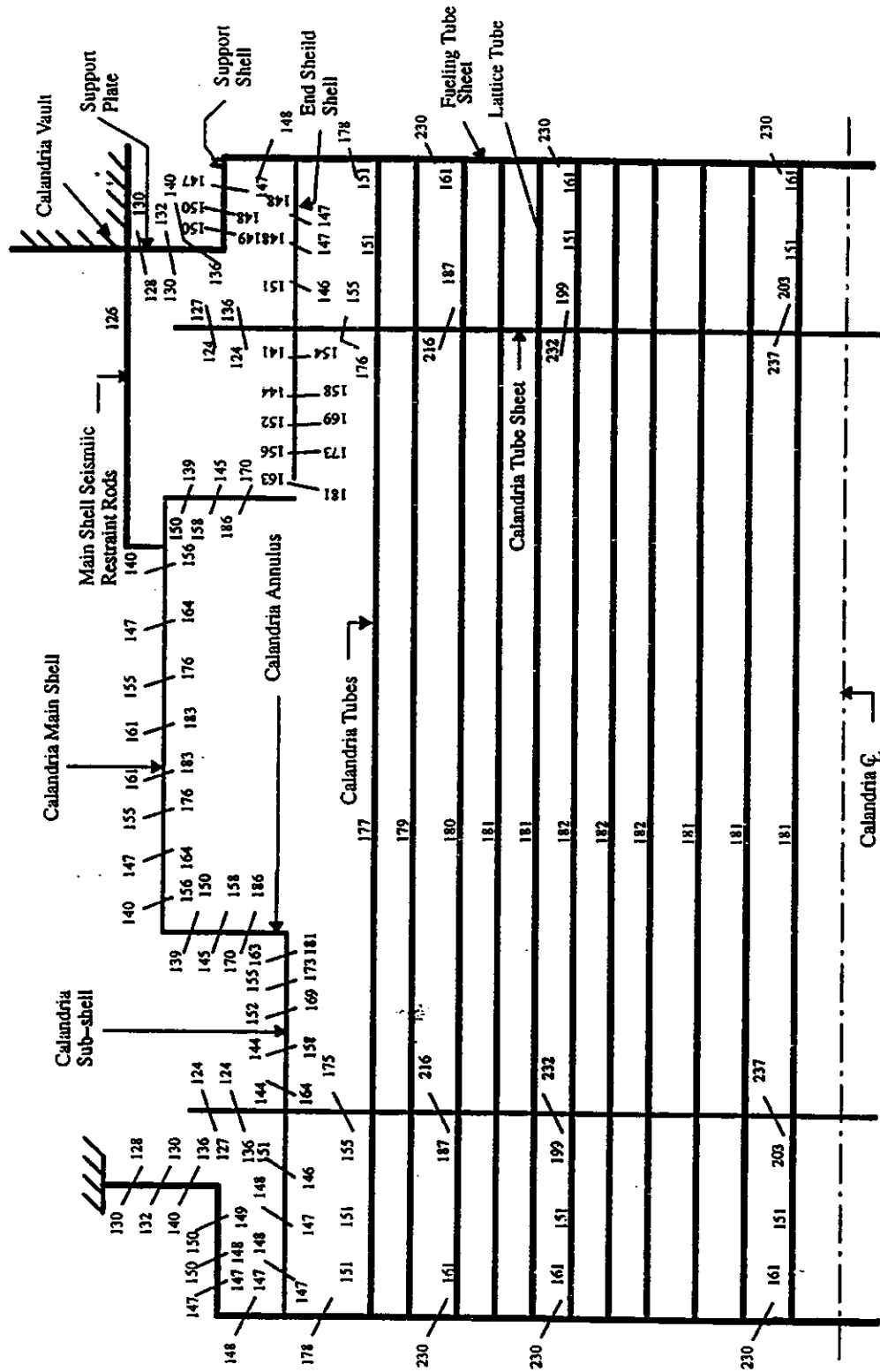


Figure 2-20 Temperature Distribution in CANDU Reactor Structure

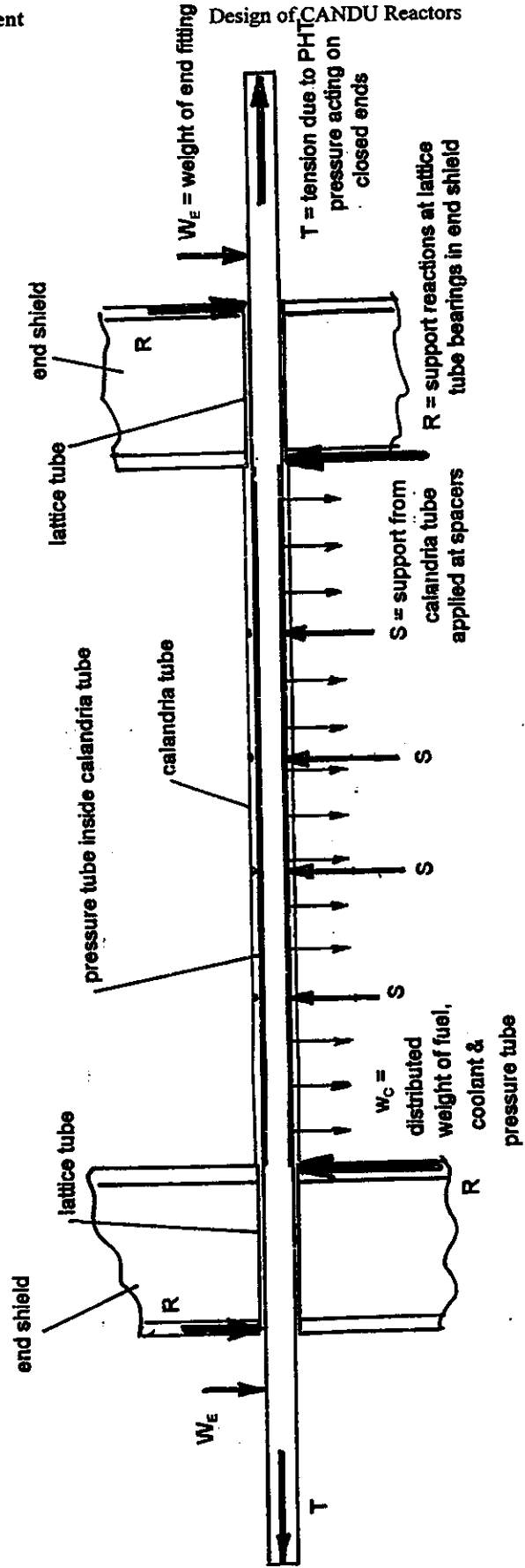


Figure 2-21 Loads Acting on Fuel Channel
(Fuel Channel = Pressure Tube & End Fittings)

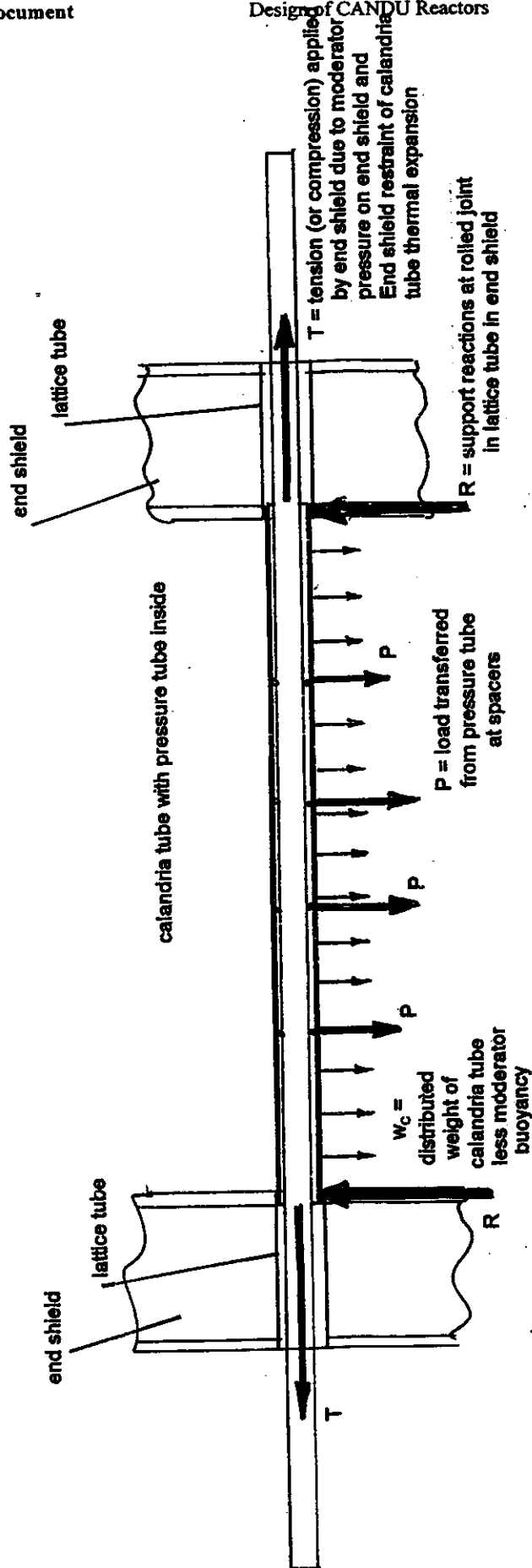


Figure 2- 22 Loads Acting on Calandria Tube

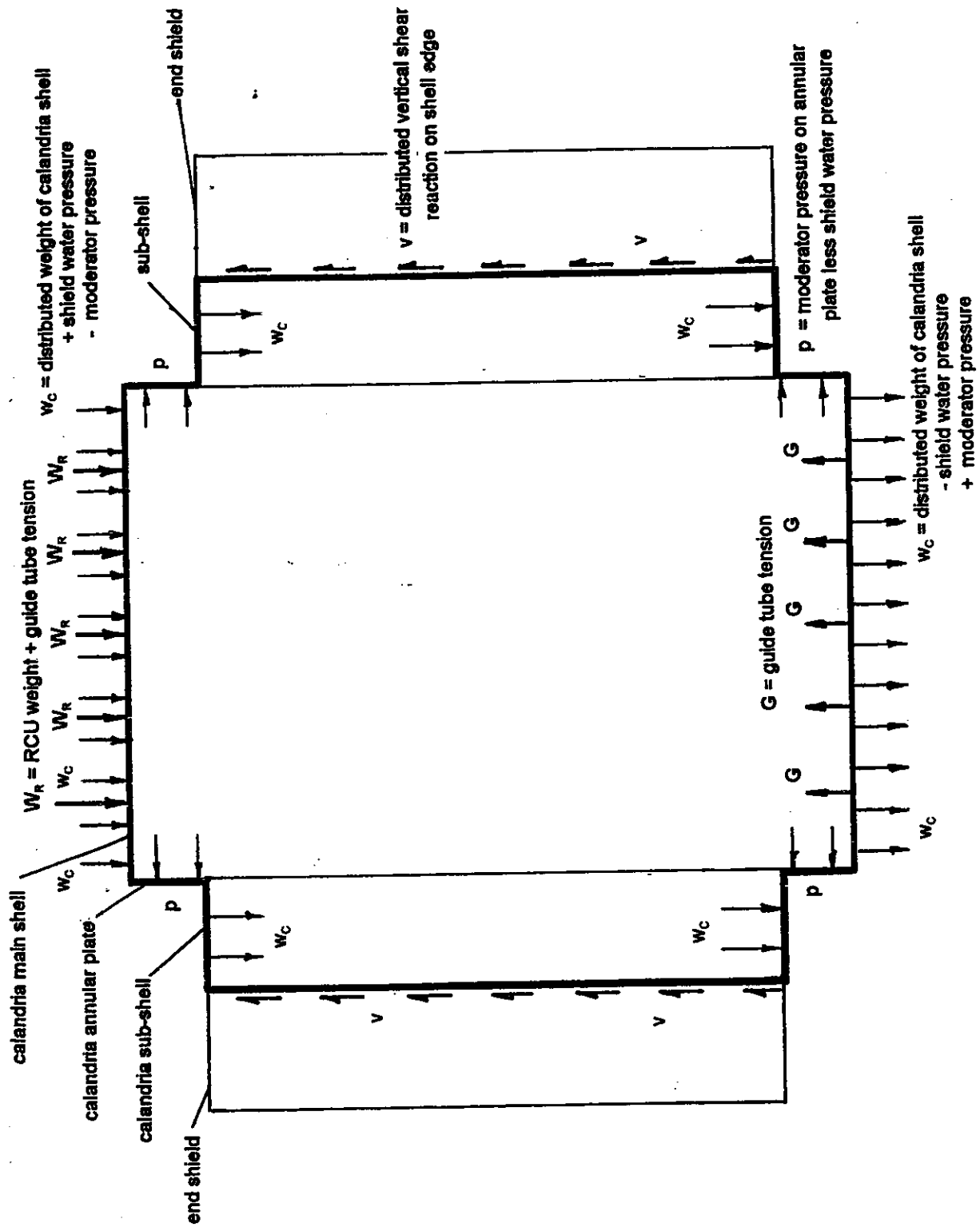


Figure 2-23 Loads Acting on Calandria Shell

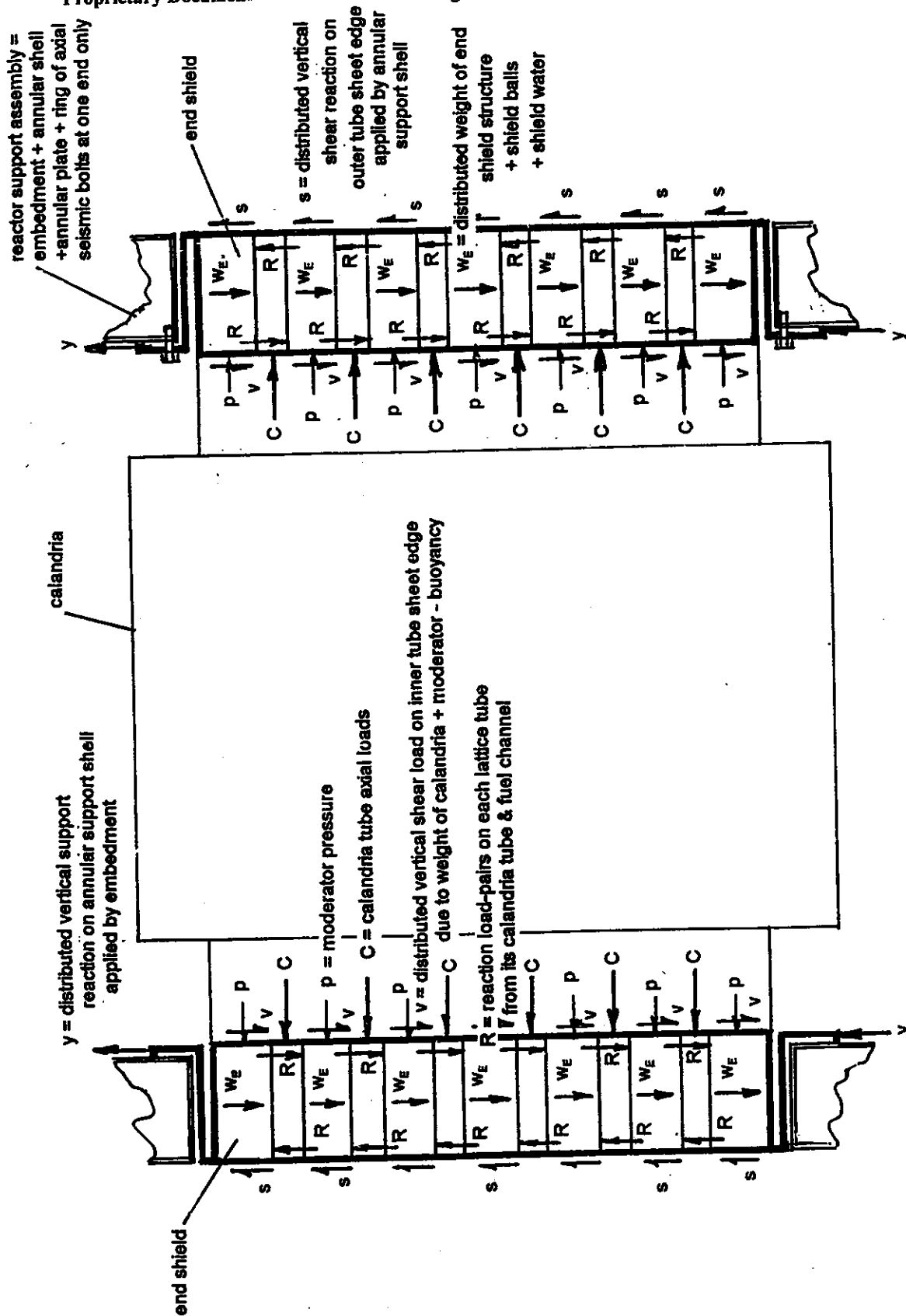
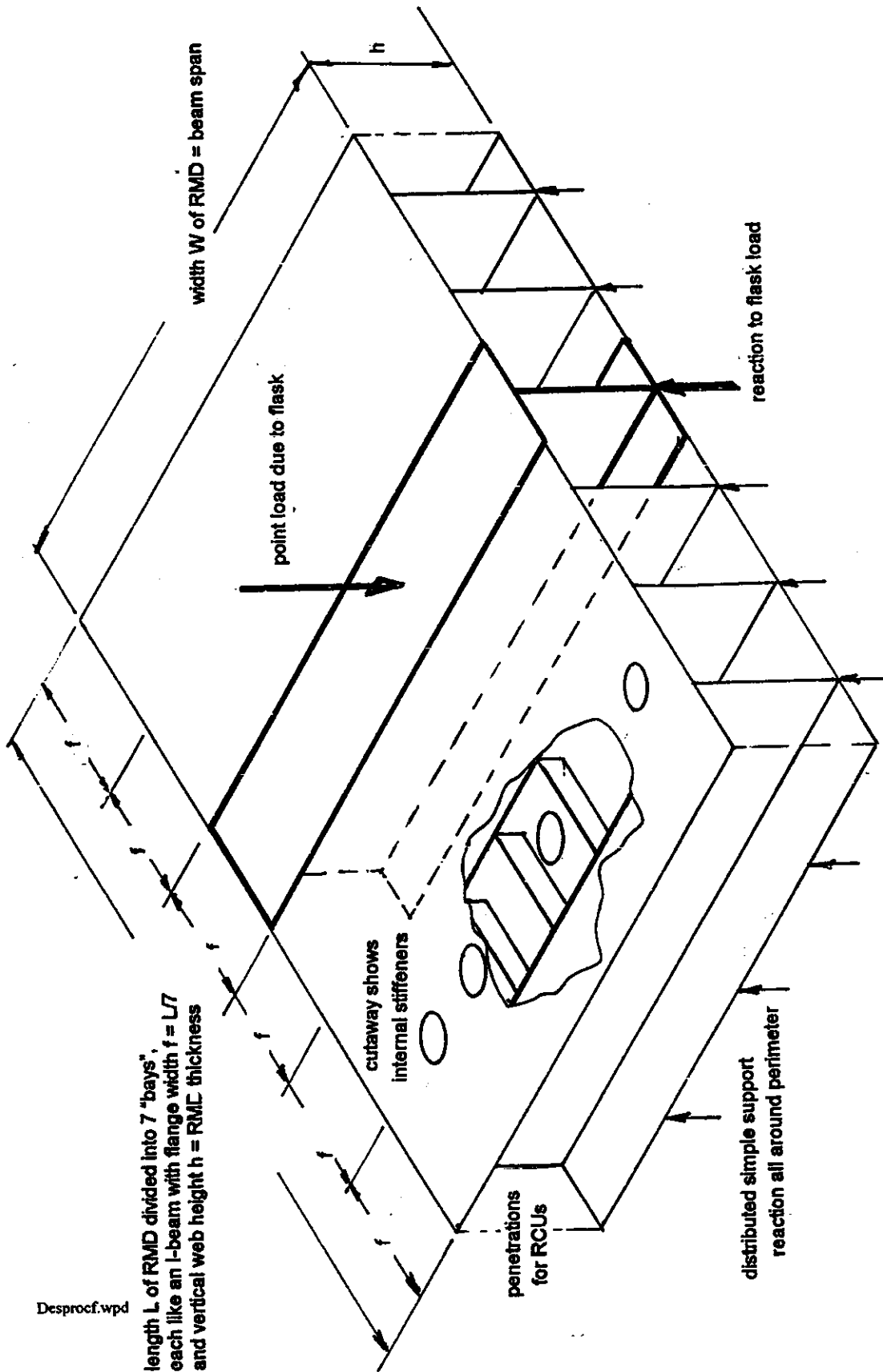


Figure 2-24 Loads Acting on End Shields



Desprocf.wpd

Figure 2-25 Loads Acting on Reactivity Mechanisms Deck (RMD)

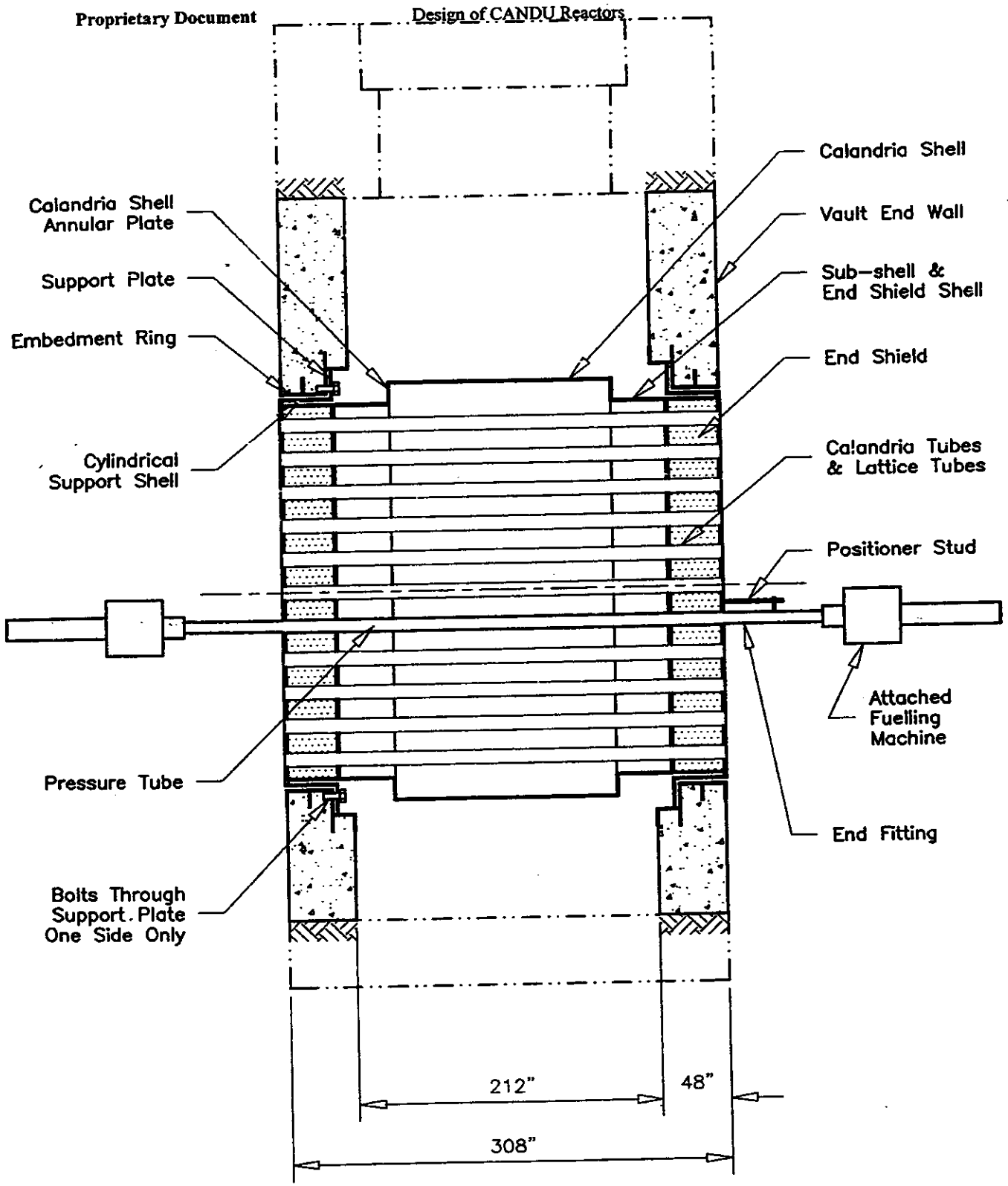


Figure 2-26 Schematic of CANDU 6 Support System

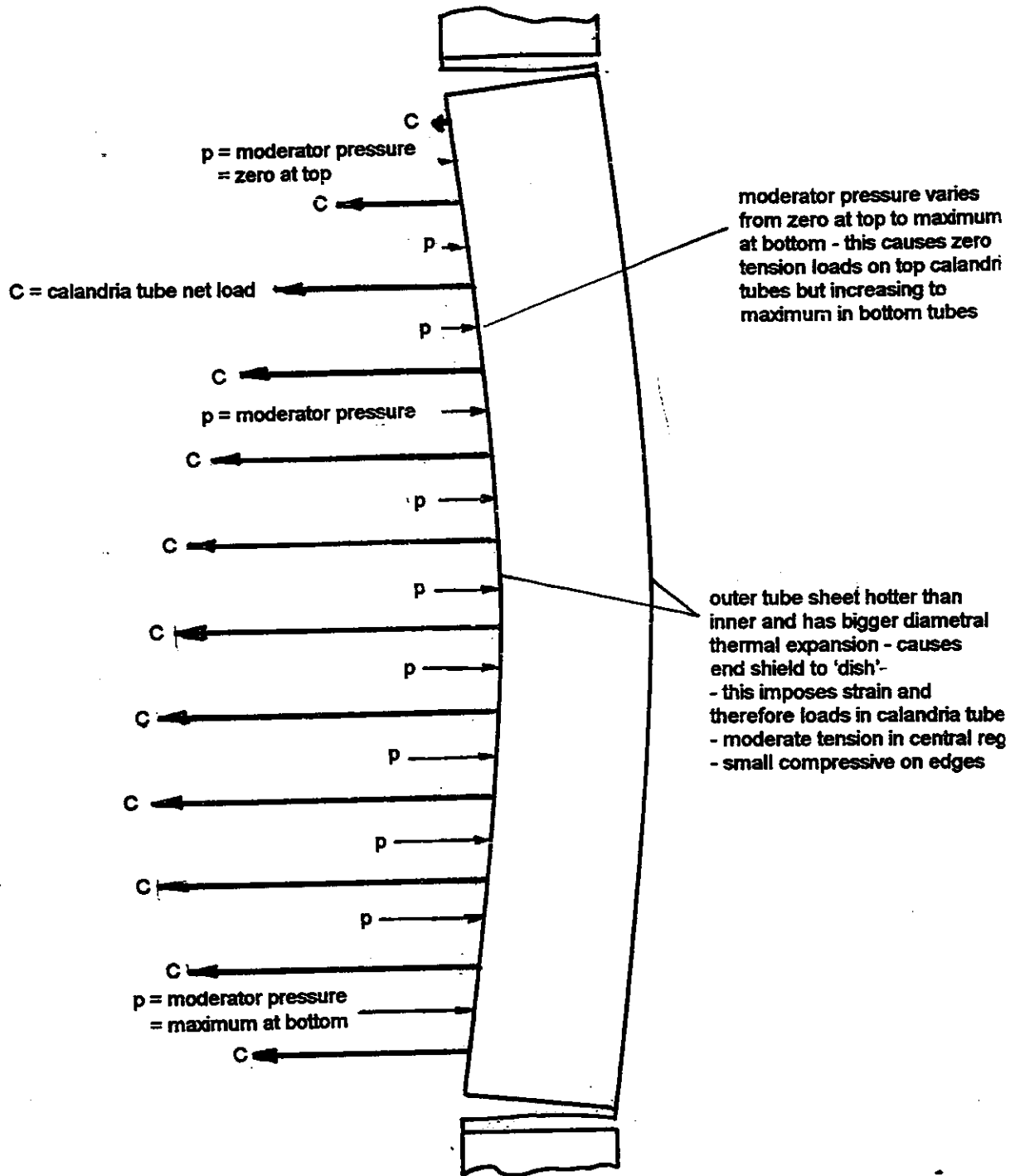


Figure 2-27 End Shield Dishing due to Different Thermal Expansion of Two Tube Sheets

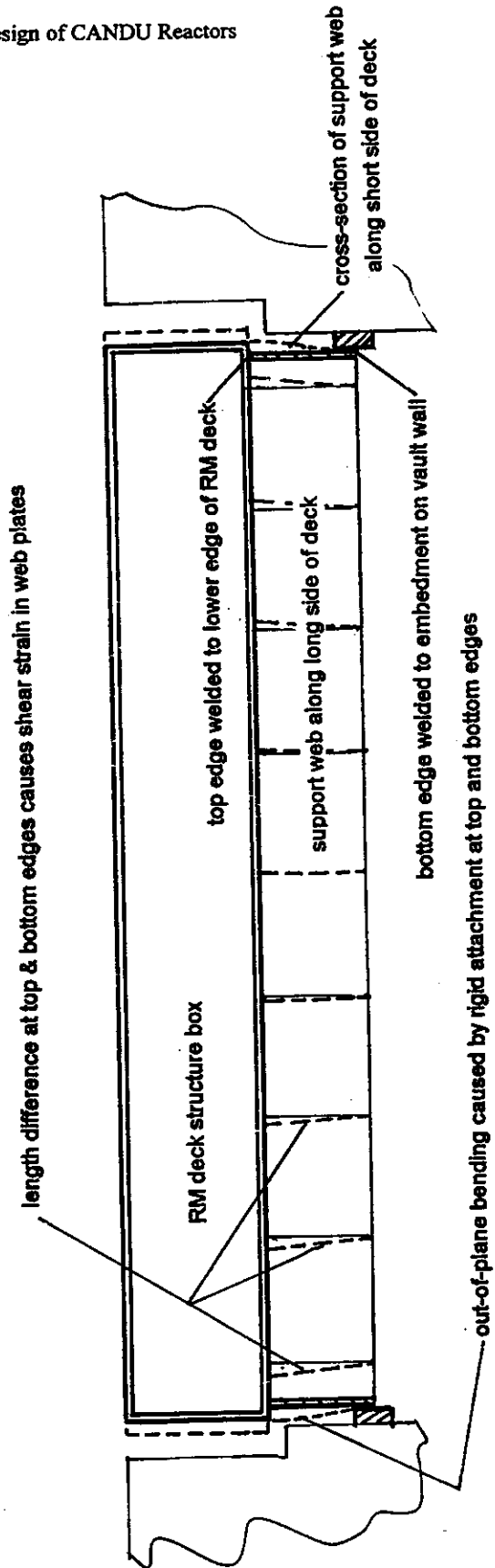


Figure 2-28 Deflected Shape of RM Deck Support Webs due to Thermal Expansion of RMD relative to Vault Concrete