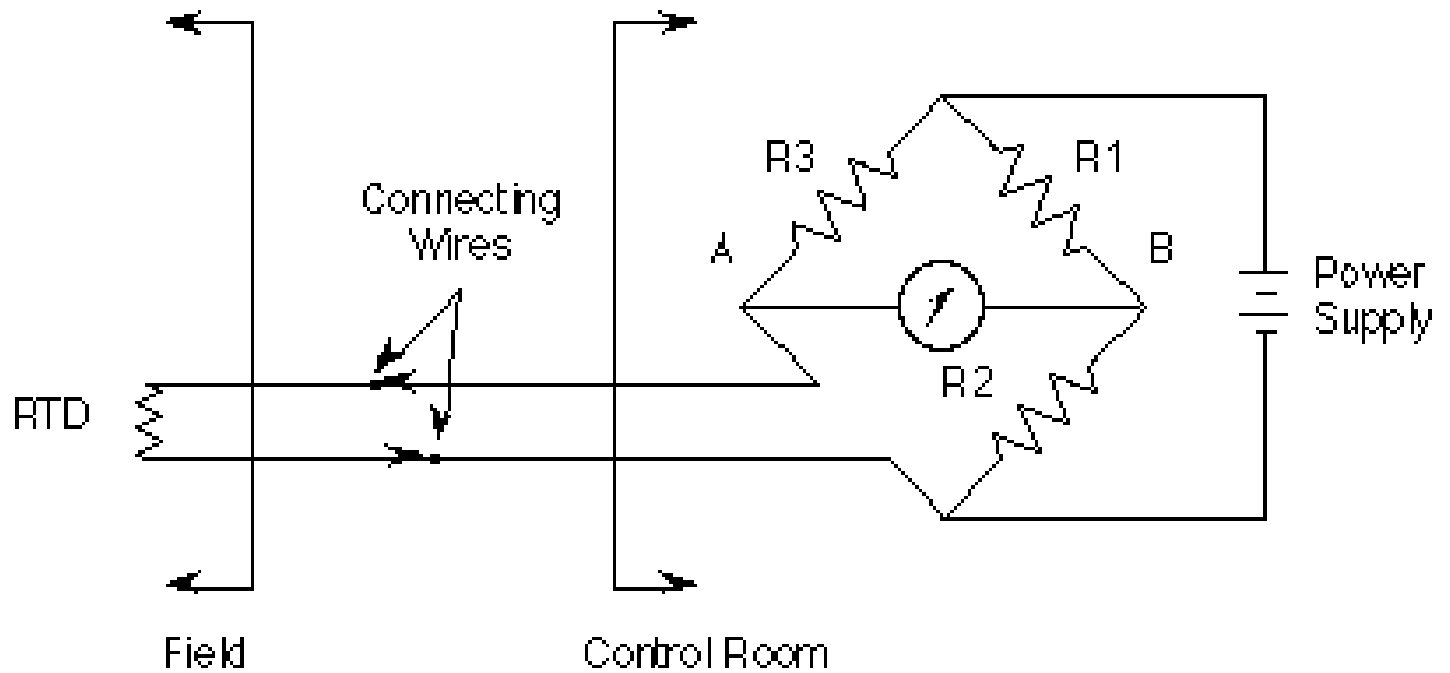


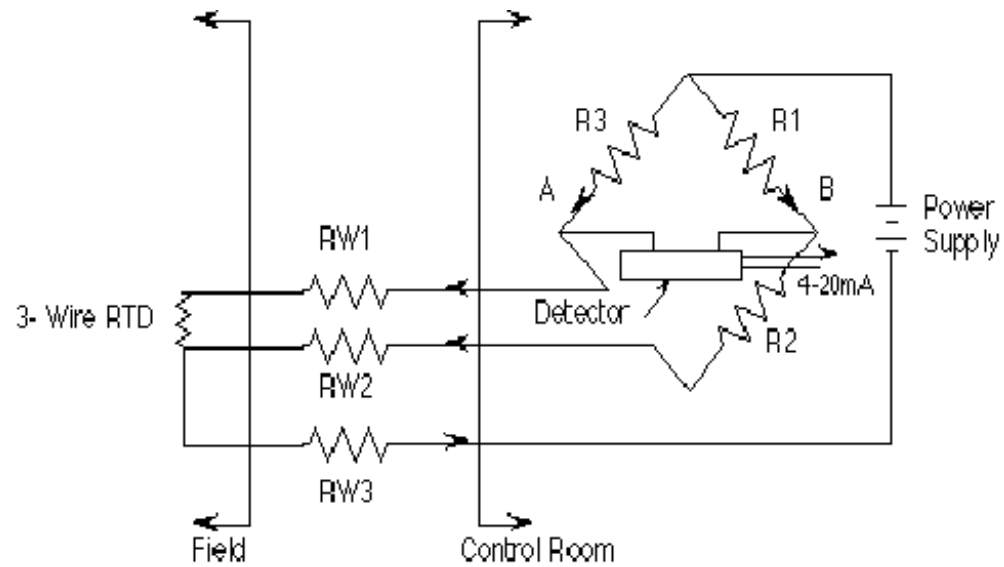
Temperature Measurement



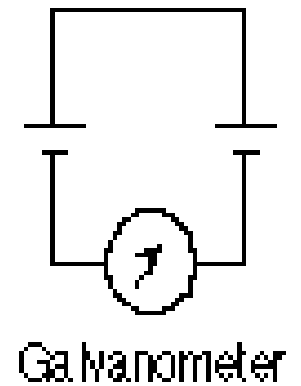
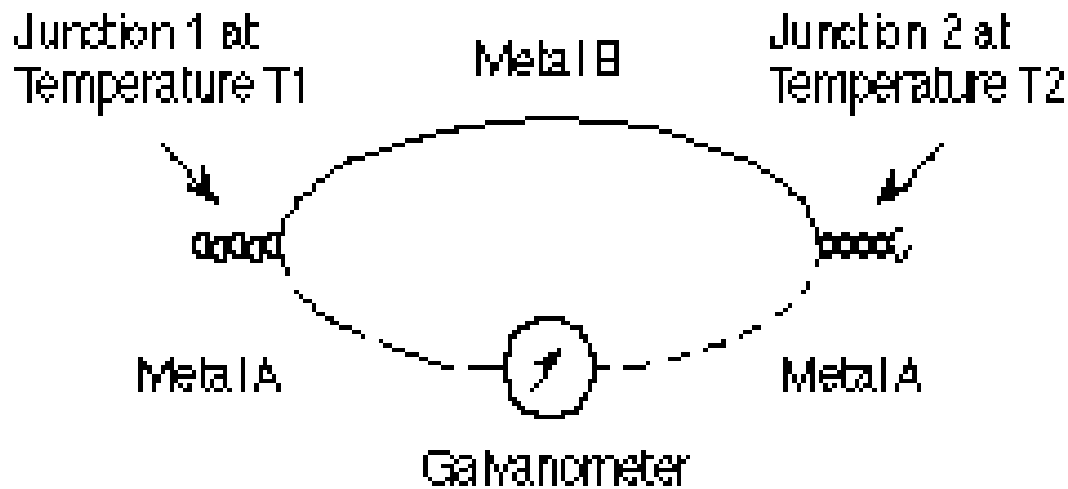
RTD



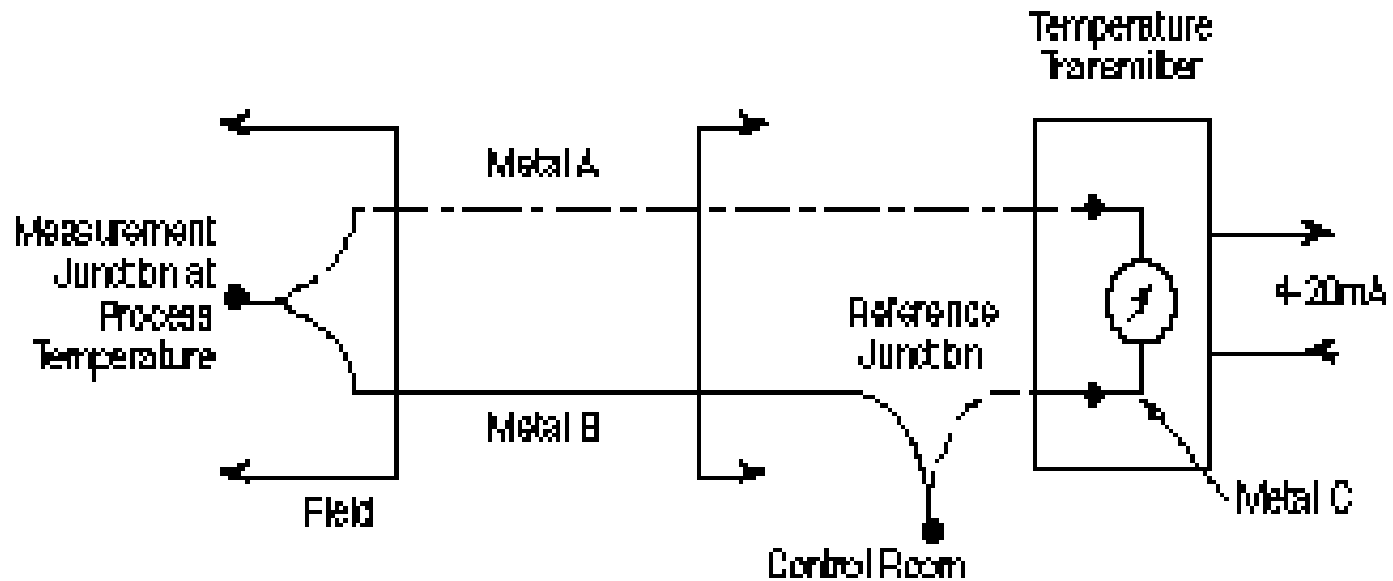
3-wire RTD



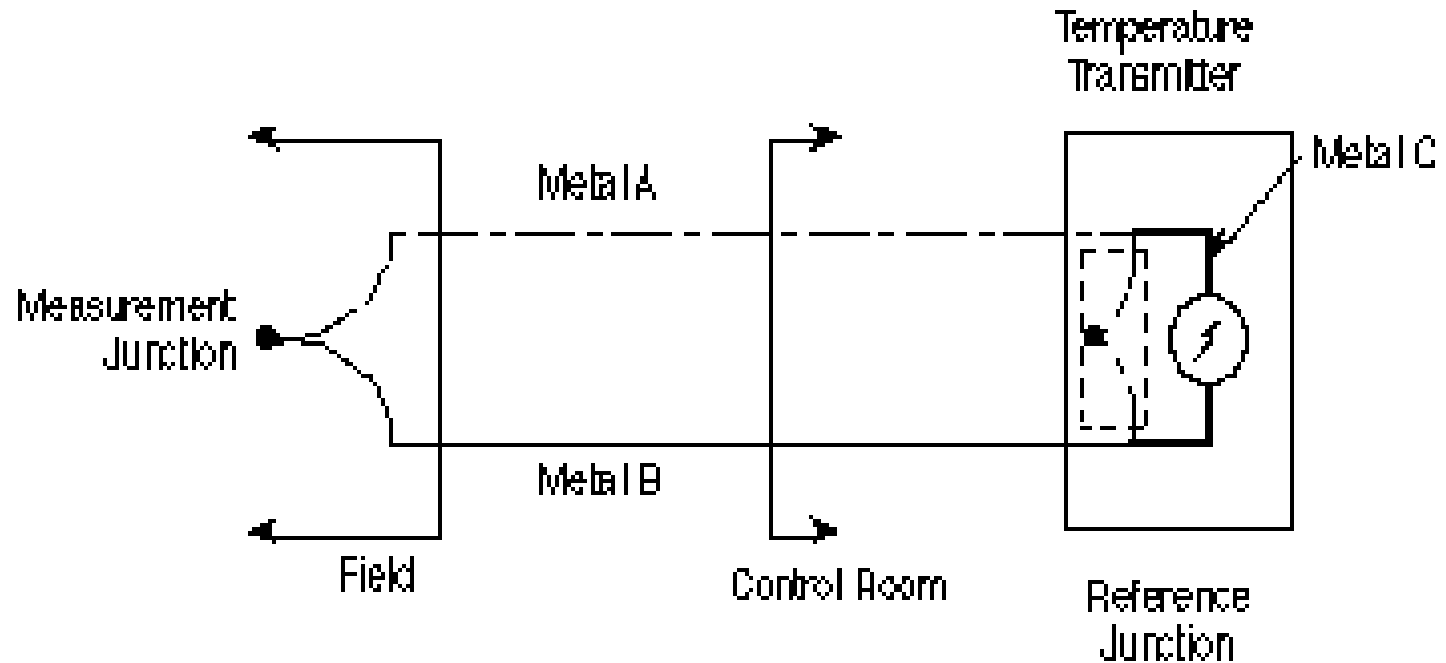
Thermocouples



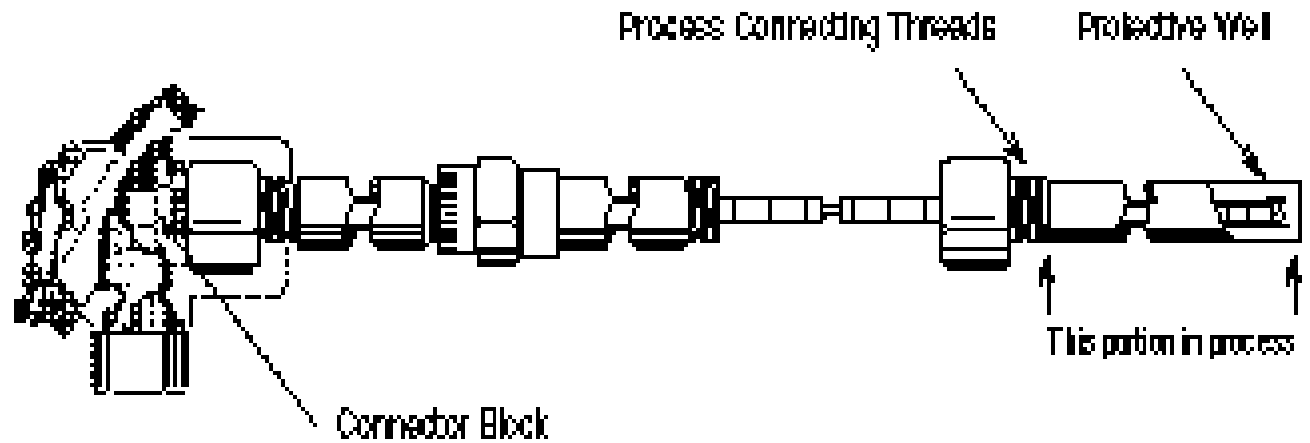
Temperature Measurement



Practical Instrument



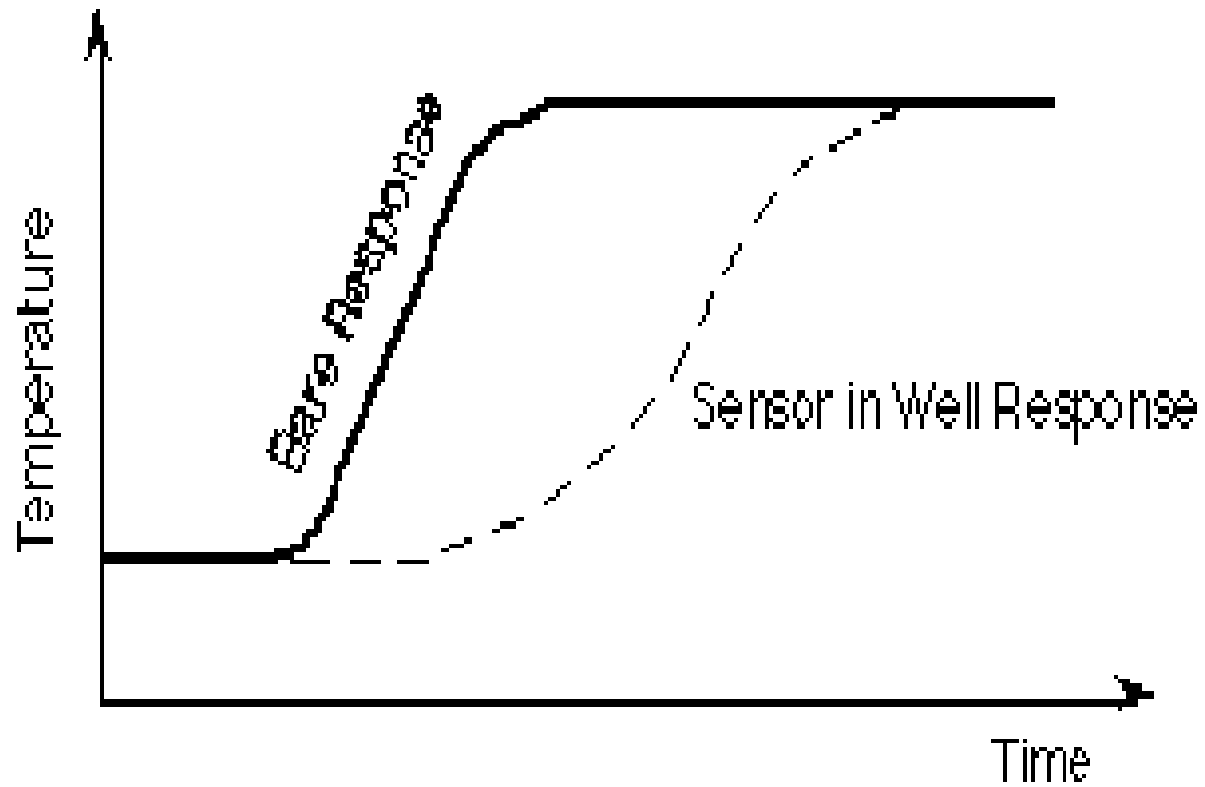
Thermal Wells



RTD in Background



Response Time

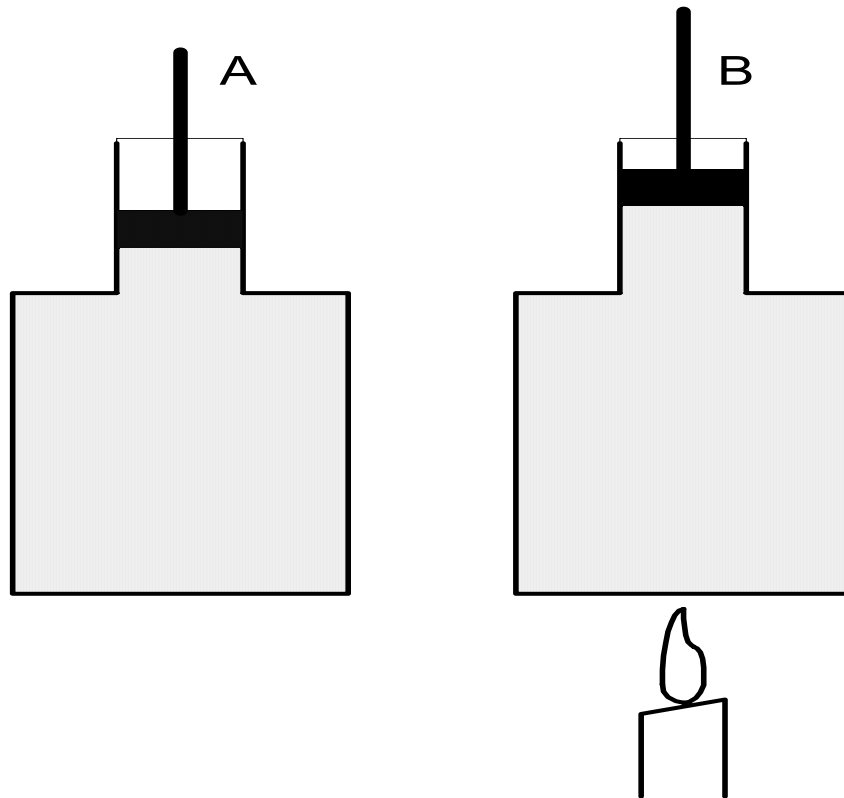




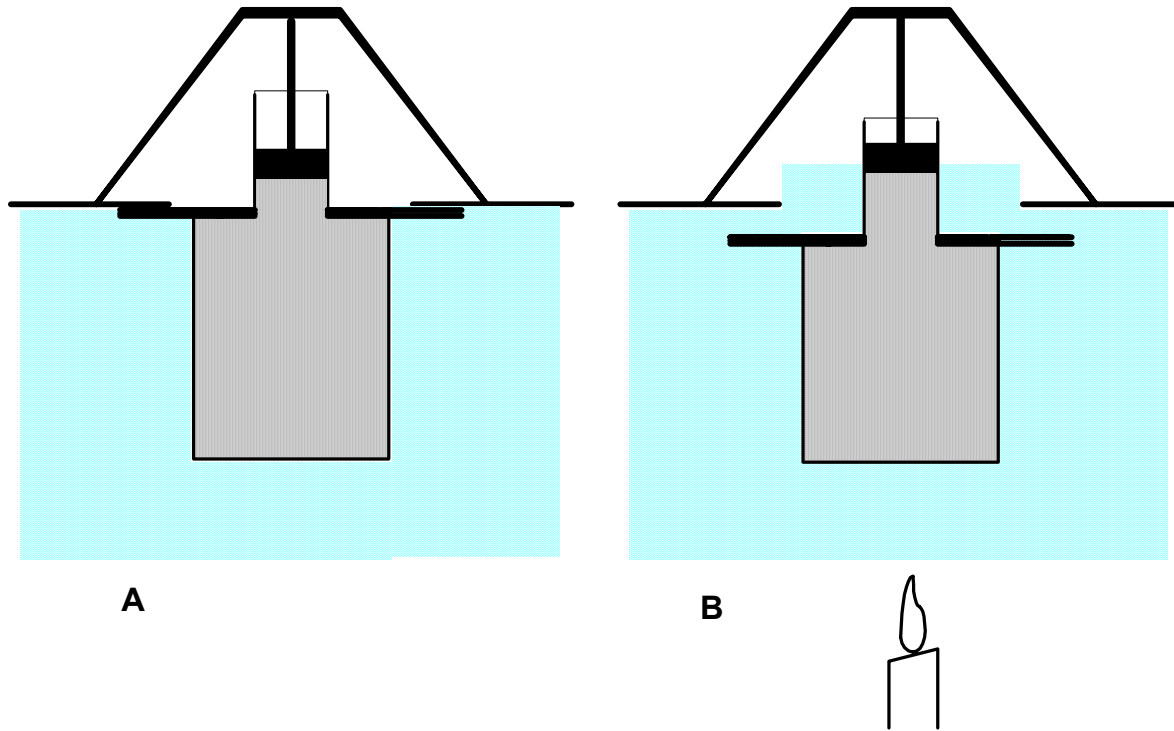
Failure Modes

- RTDs read low for a short circuit
- RTDs read high for an open circuit
- RTDs read low for power supply failure
- Thermocouple open or short circuit causes low readings

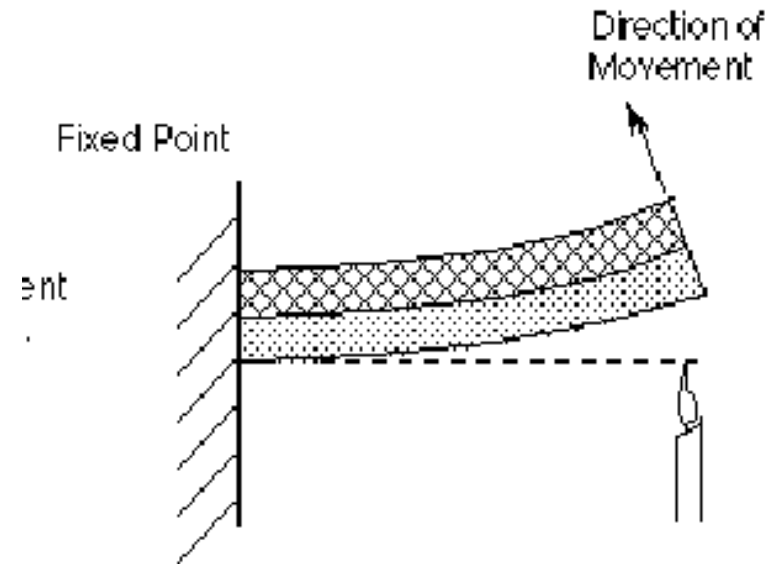
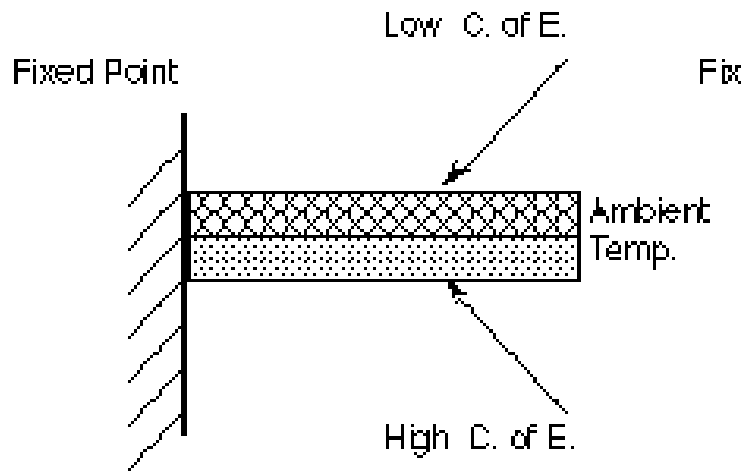
Pressure Cylinder



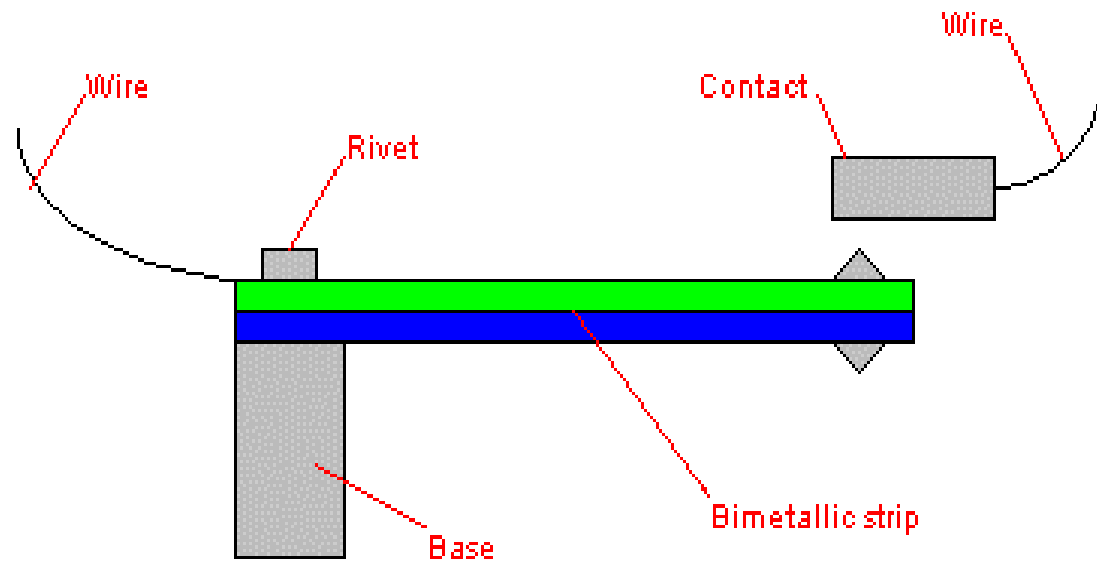
Engine Thermostat



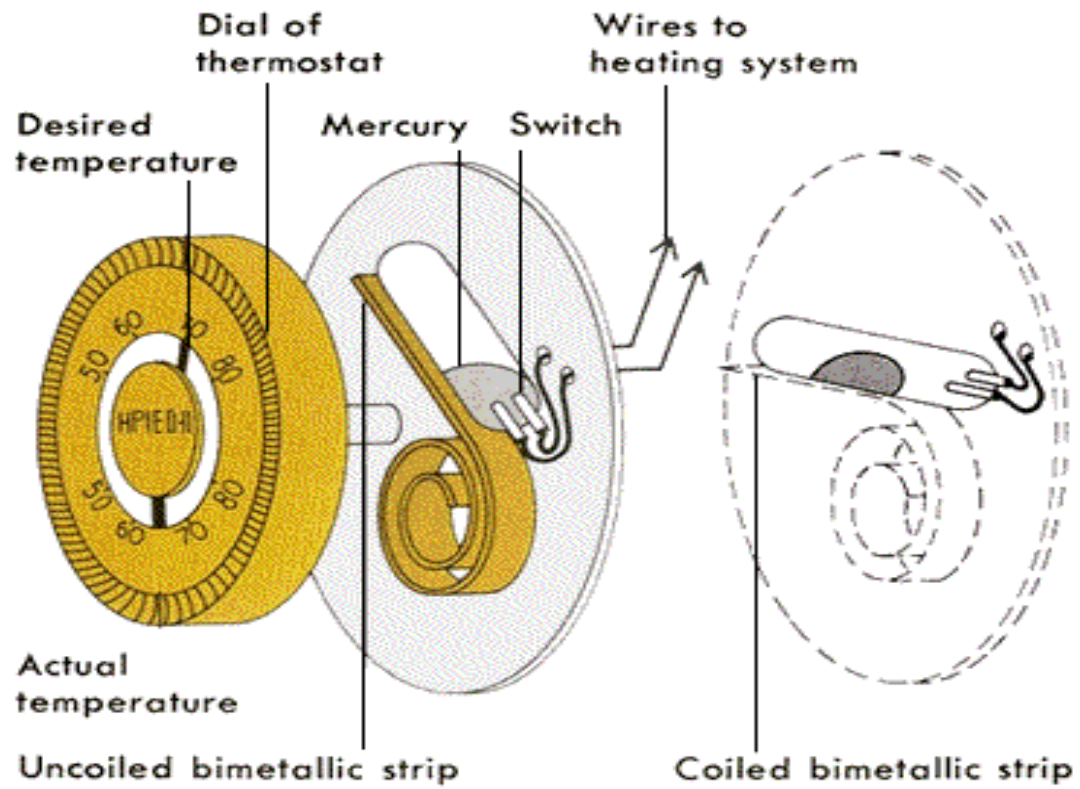
Bimetallic Strip



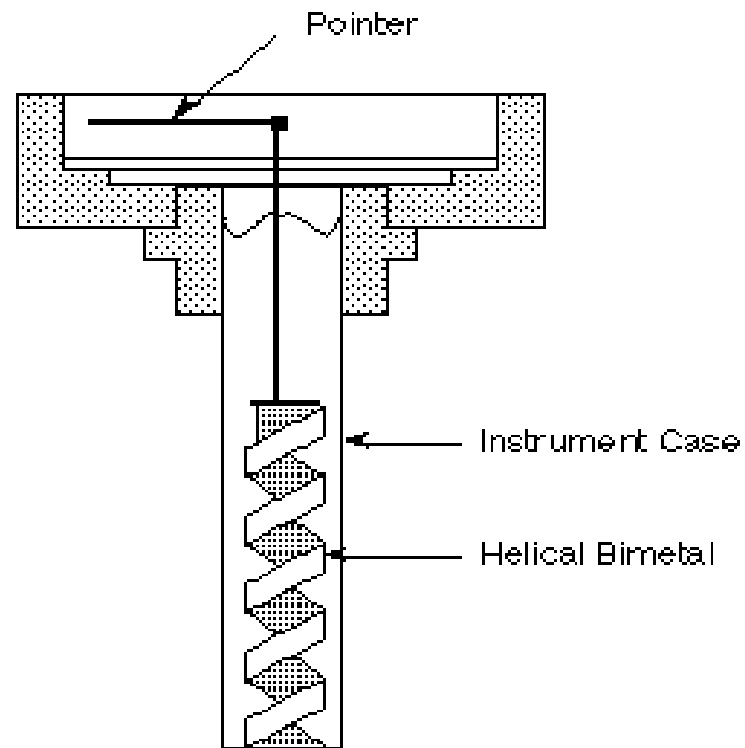
Bimetallic Strip Switch



Coiled Bimetallic Strip



Helical Strip





For You to Do

- Read pp. 50-60
- Answer Questions p. 86, #25-27