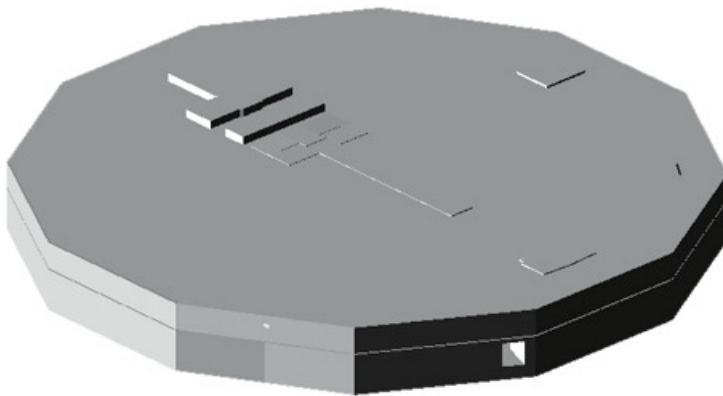


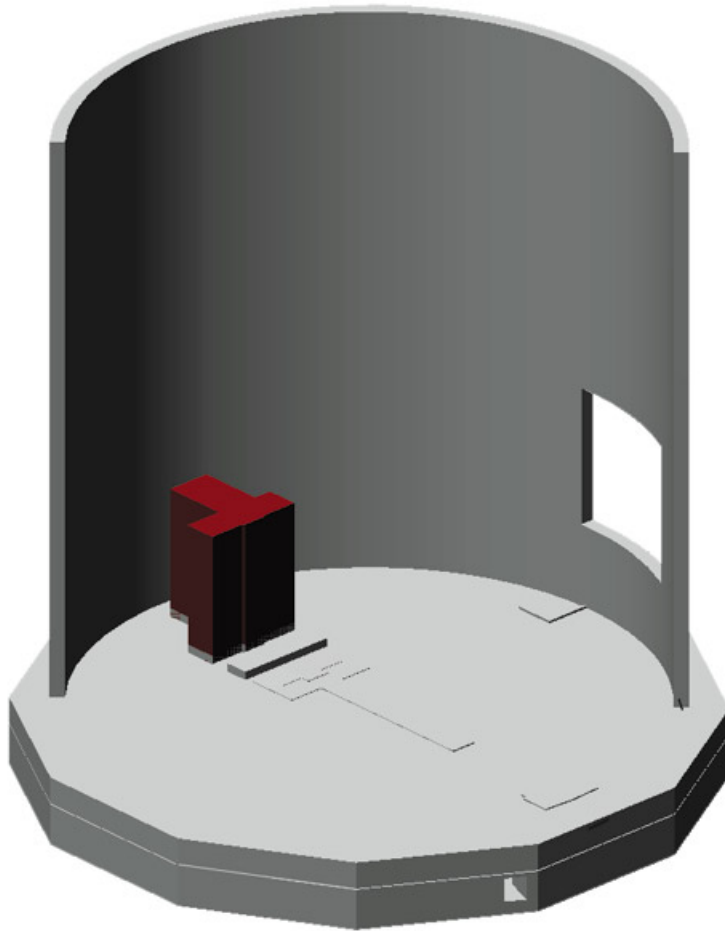


AECL

CANDU 6 Construction Sequence

1 Sub-Base,
Tendon Gallery,
Base Slab.



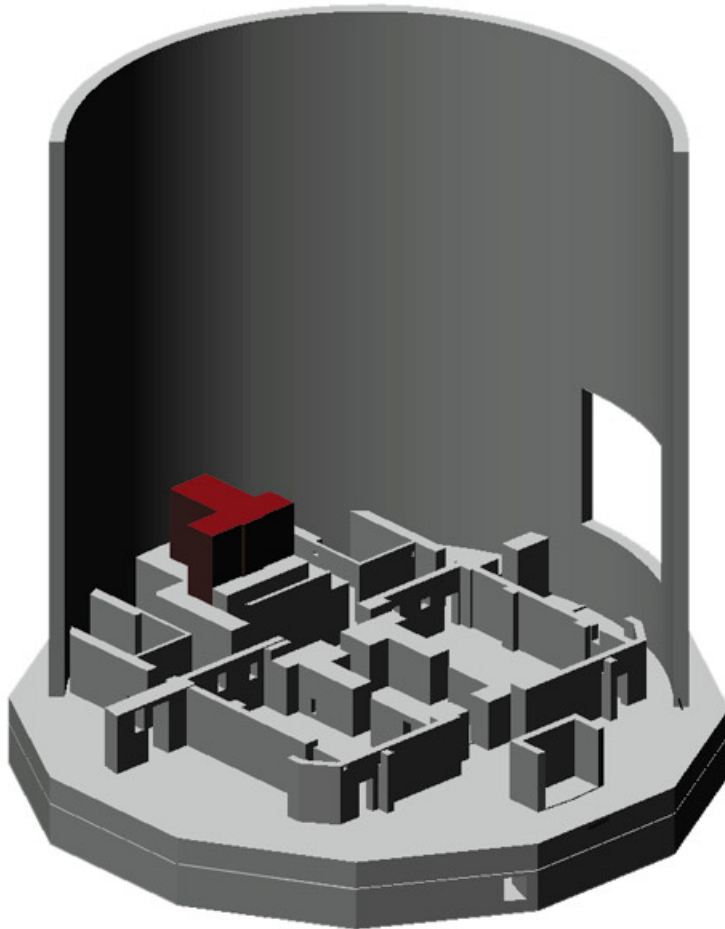


CANDU 6 Construction Sequence

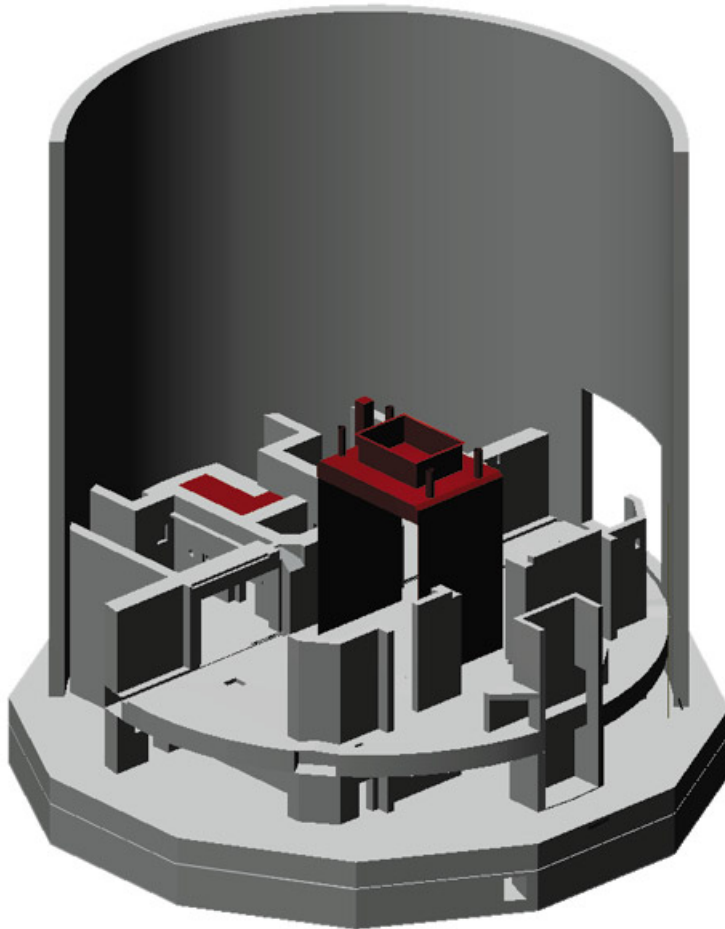
2 Perimeter Wall Slipform ('A' Opening),
prefabricated Spent Fuel Transfer Bay Liner,
(*weather cover installed*).



CANDU 6 Construction Sequence

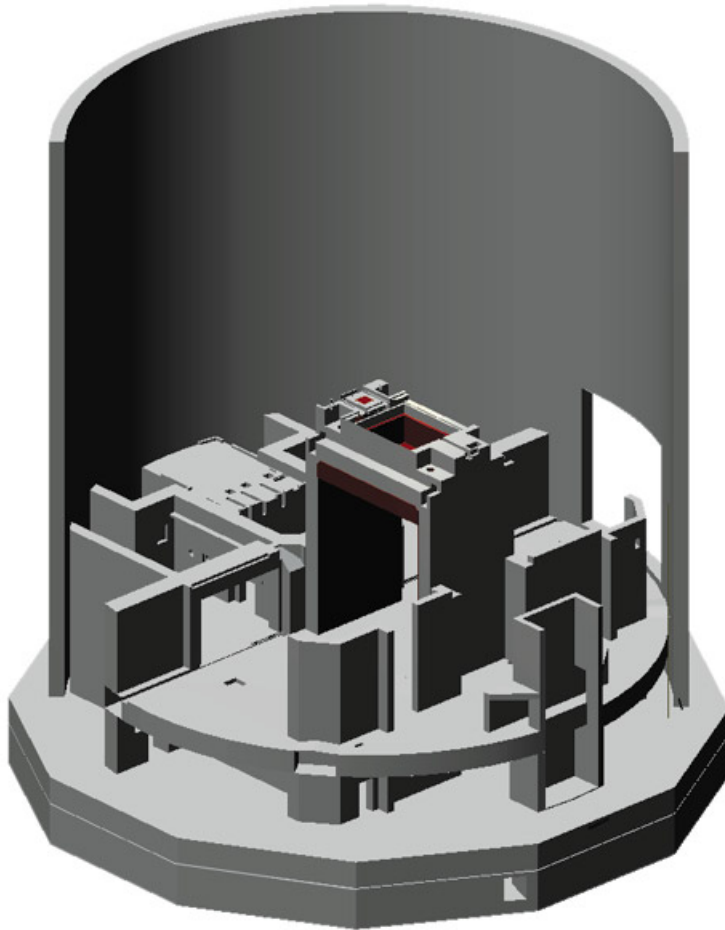


3 Basement walls to
98.32 m. elevation.



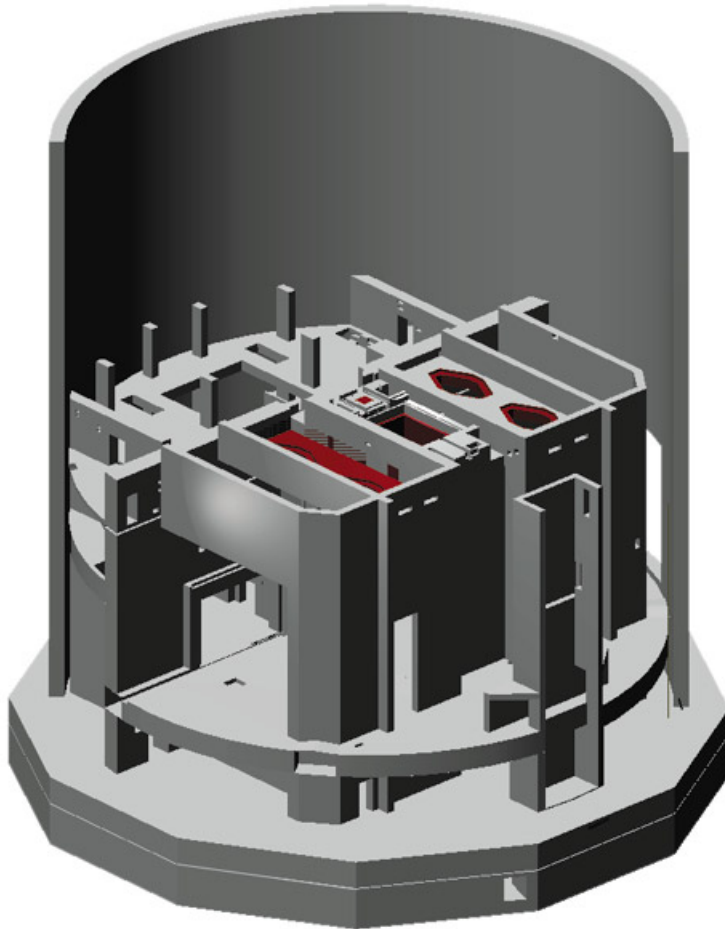
CANDU 6 Construction Sequence

4 100.00 m. slab,
prefabricated Calandria Vault Liner,
walls to 106.00 m. elevation.



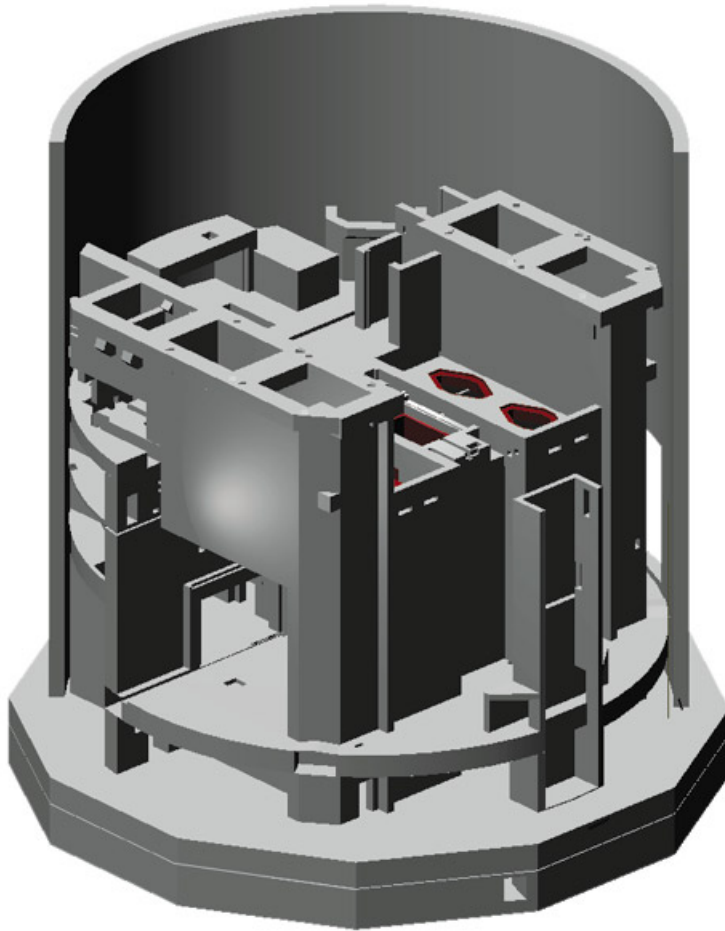
CANDU 6 Construction Sequence

5 Calandria Vault Concrete to
116.00 m. elevation,
slab over Spent Fuel Transfer Bay.



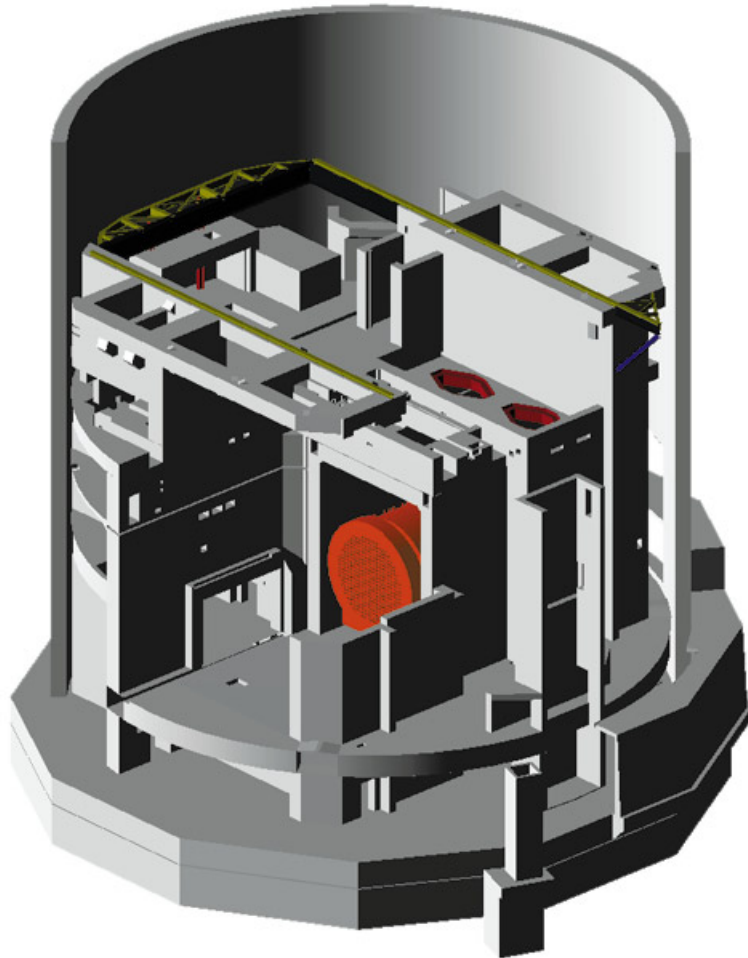
CANDU 6 Construction Sequence

6 Walls to 116.00 m. elevation,
prefabricated formwork for
Heat Transport Pump floor.



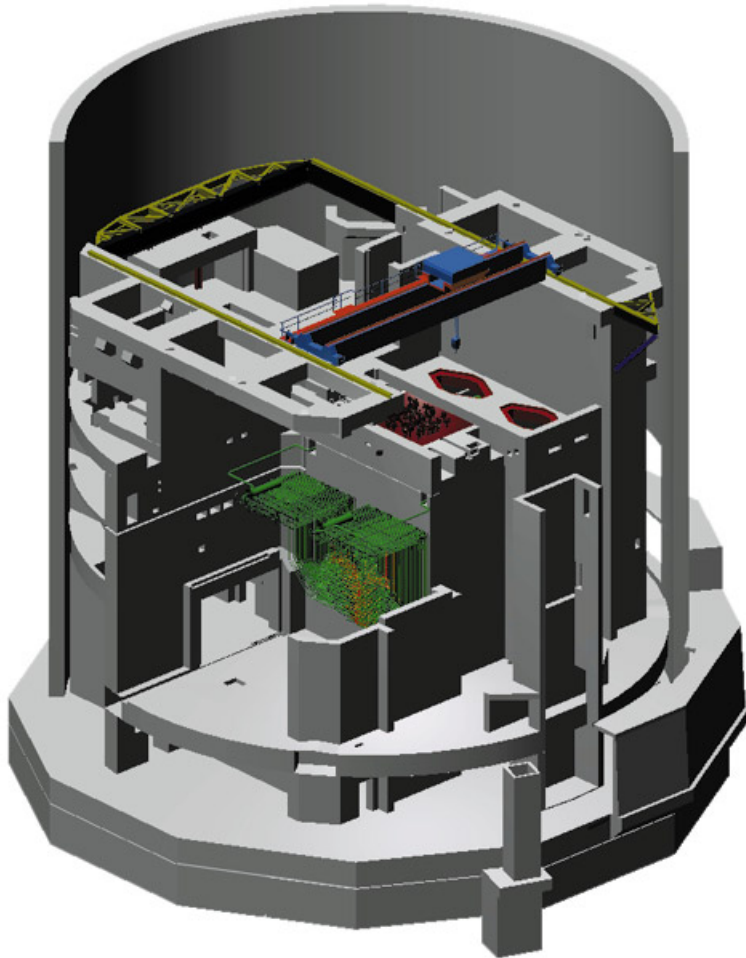
CANDU 6 Construction Sequence

7 Steam Generator Enclosure to
125.00 m. elevation,
concrete Pump Room floors.



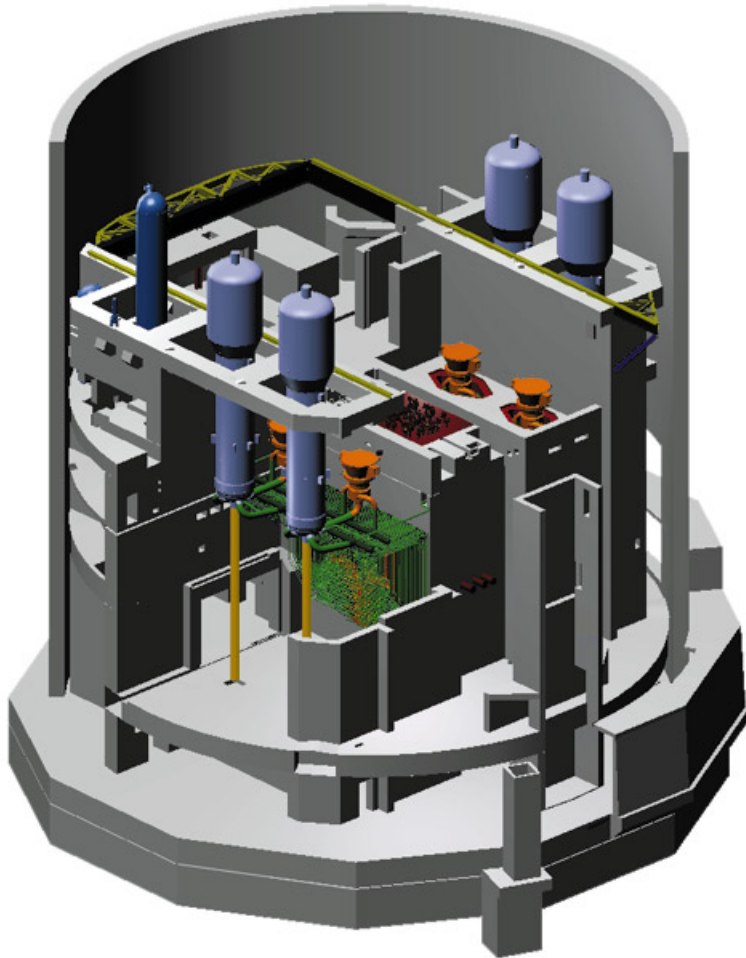
CANDU 6 Construction Sequence

8 Tubed Calandria in vault (via 'A' Opening),
structural steel to Crane Rail.



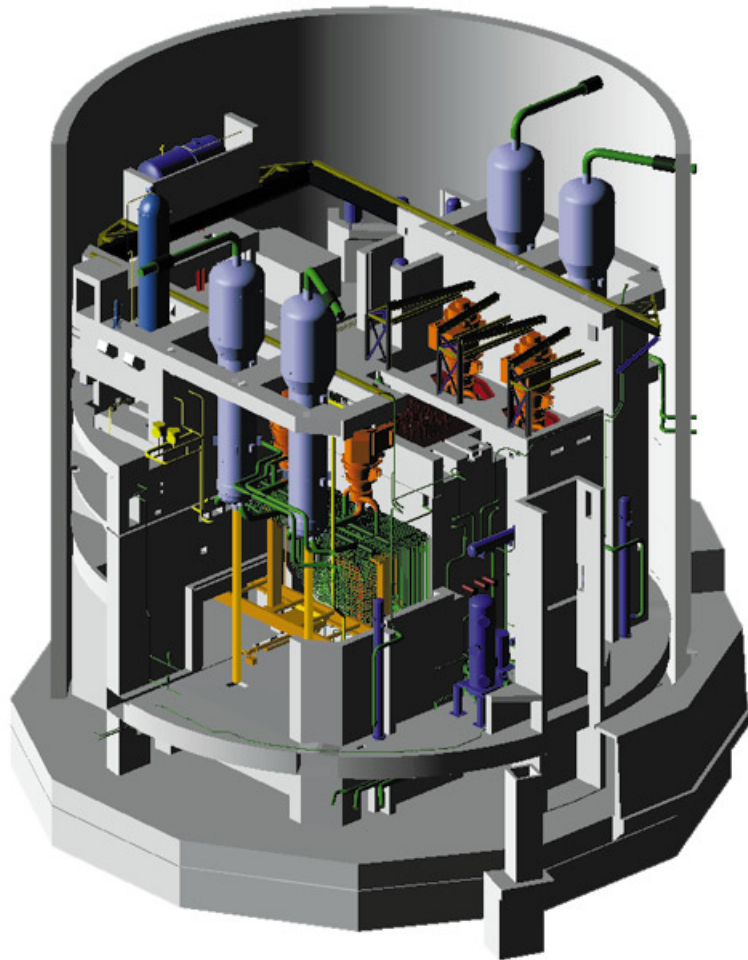
CANDU 6 Construction Sequence

9 Complete secondary concrete for Calandria Vault,
Feeder/Header Frames installed,
start Lower Feeder program,
Reactivity Mechanism Deck,
Boiler Room Bridge Crane.



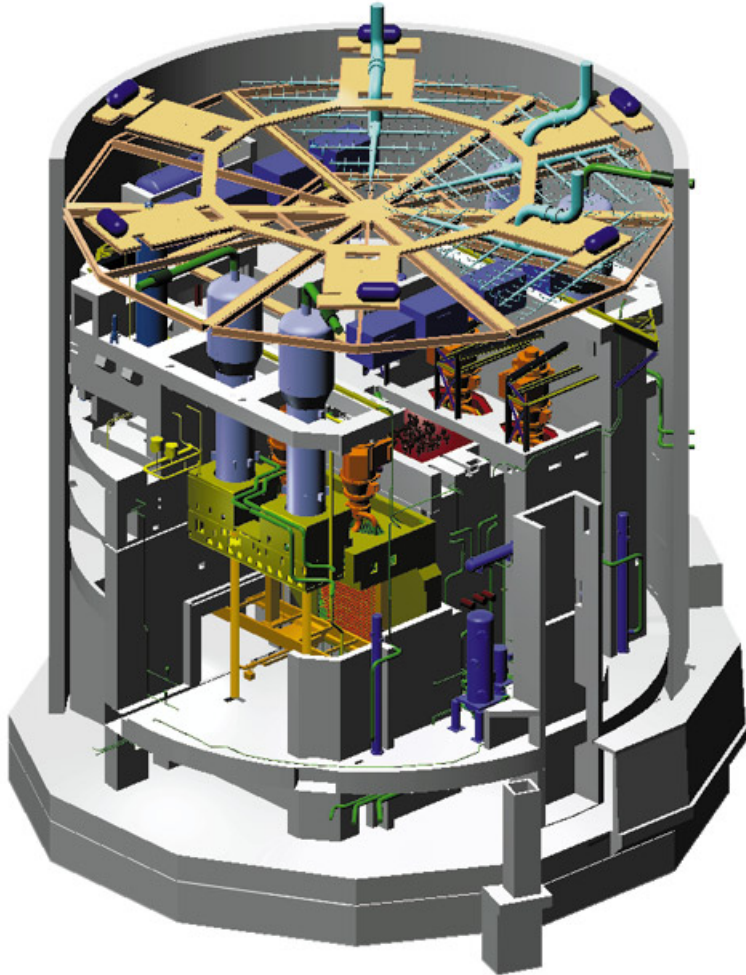
CANDU 6 Construction Sequence

10 Steam Generators & Supports,
Pressurizer/Degasser
Heat Transport Pumps,
complete Lower Feeders,
(*weather cover removed*).



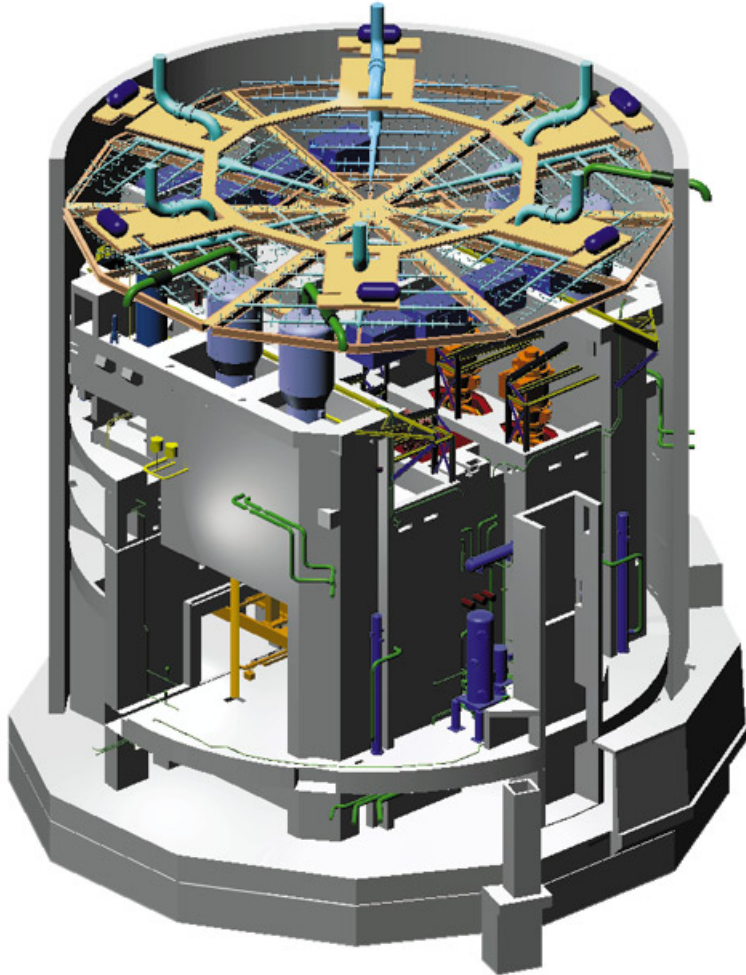
CANDU 6 Construction Sequence

11 Moderator Heat Exchanger & Pumps,
Heat Transport Pump Motor & Supports,
D₂O Storage Tank,
miscellaneous vessels,
Main Steam Pipes & Bellows,
Fuelling Machine Bridge & Columns,
'A' Opening closed.



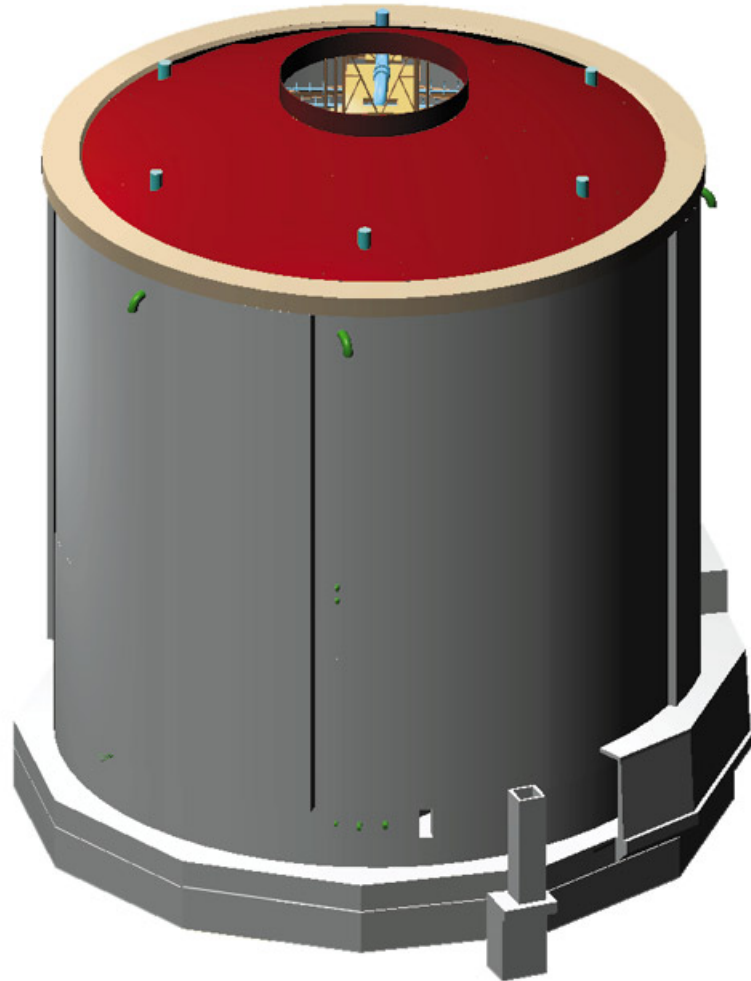
CANDU 6 Construction Sequence

12 Local Air Coolers,
Dousing Steel in segments,
Insulation Cabinets.



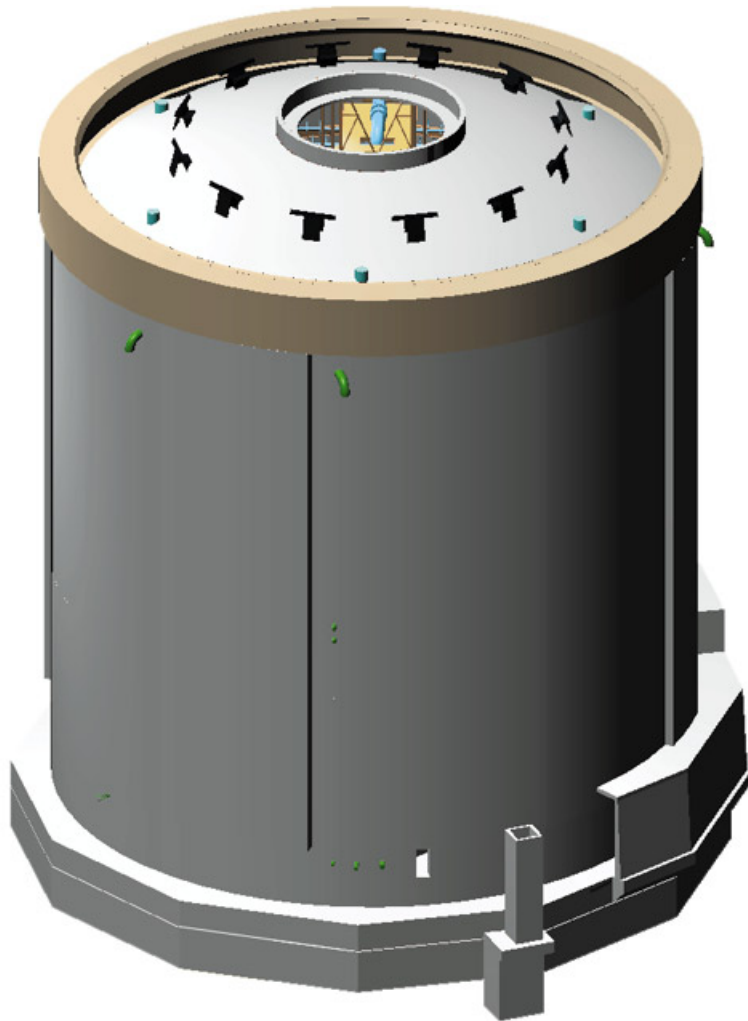
CANDU 6 Construction Sequence

13 Dousing Piping in segments.



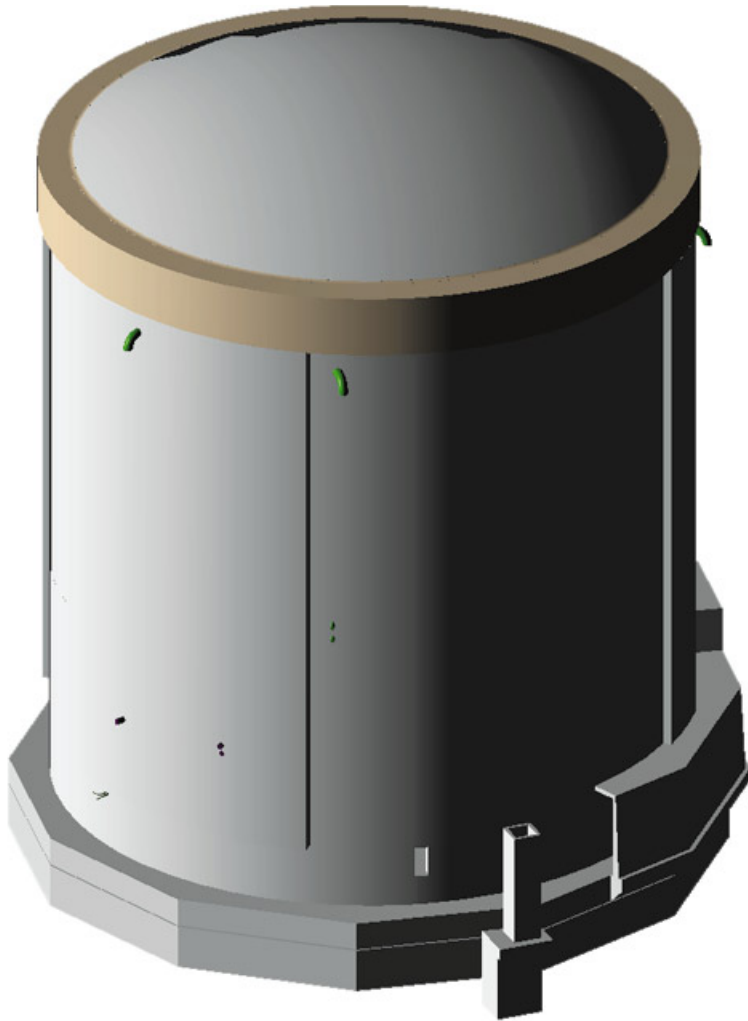
CANDU 6 Construction Sequence

14 Lower Ring Beam,
prefabricated steel form for
Lower Dome.



CANDU 6 Construction Sequence

15 Lower Dome concrete,
Upper Ring Beam.



CANDU 6 Construction Sequence

16 Concrete to Upper Dome.